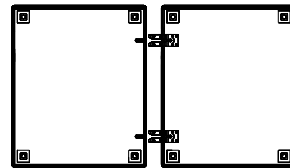
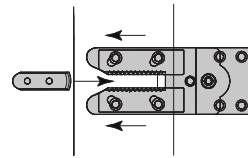


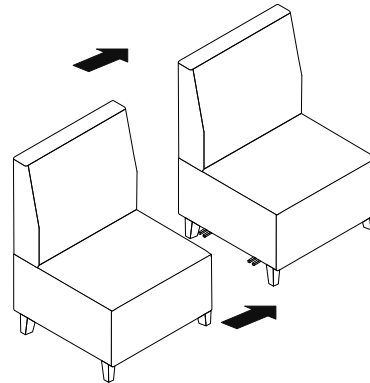
1 Place each ganging bracket over the predrilled holes found on the bottom side of the lounge units.

If no predrilled holes are provided, position one connecting bracket at an equal distance on opposite sides (see illustration). If no pre-drilled holes are provided, brackets must be attached with wood screws.

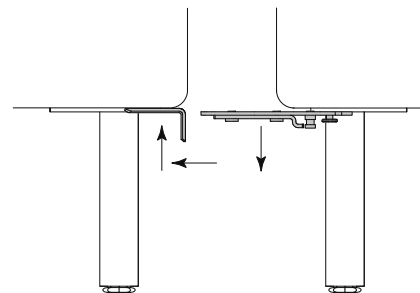
Two connecting brackets are required to join two units together.



2 Align the units side by side and push together to secure the connection



3 If required to separate the units, lift up on the unit with the smaller connecting piece and separate.



Lift up on unit with the smaller piece.
Move unit aside.