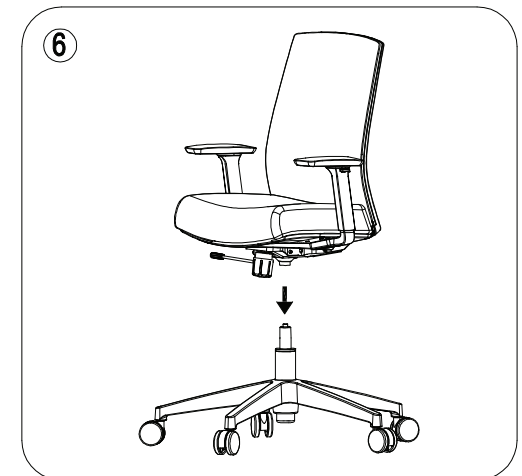
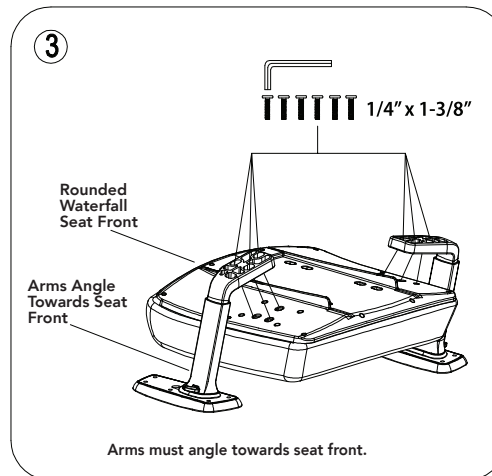
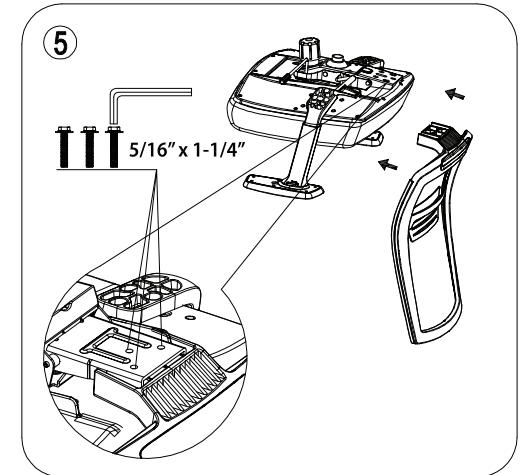
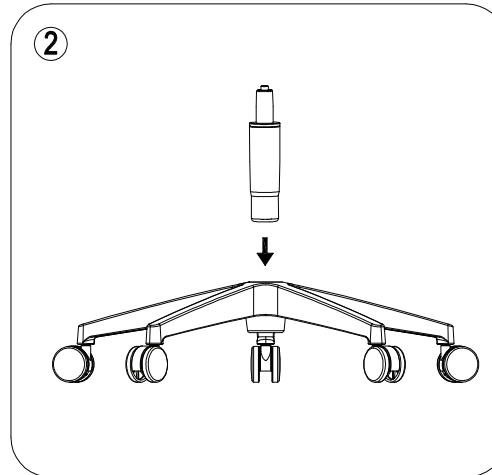
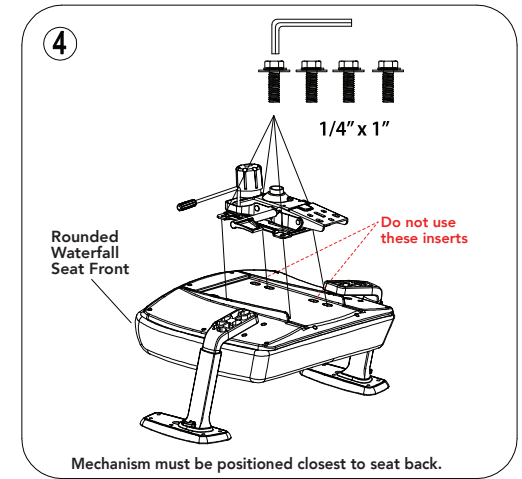
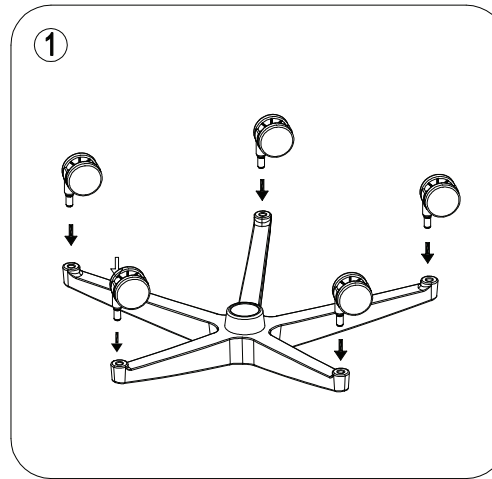
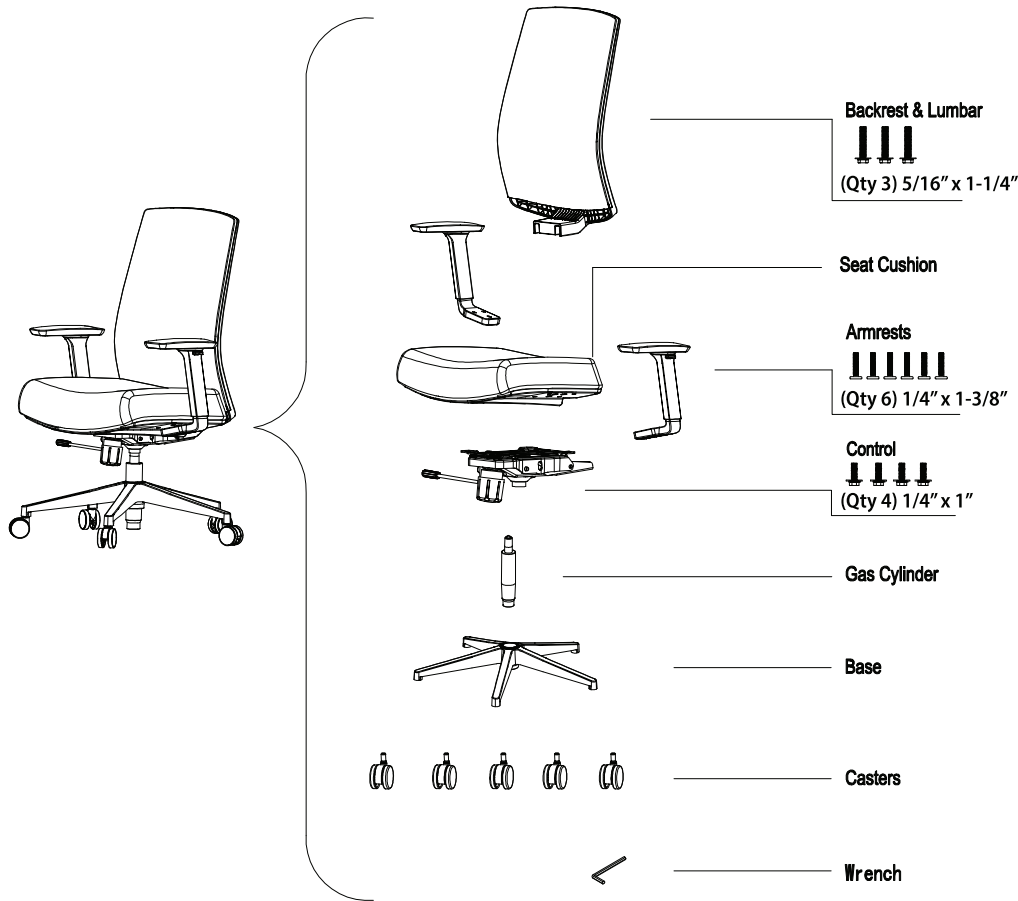


Assembly on a smooth even surface. Identify and count all parts and compare with the diagram below:



Warning! Proper product installation, in accordance with these instructions, is the responsibility of the installing agent. Upon completion of the final assembly step, locate and place chair on level ground. Do not stand on this chair. Use this chair for seating one person at a time. Do not use this chair unless all bolts, screws are firmly secured. Check the following at four month intervals: All exposed fasteners should be checked and any loose fasteners tightened. Use appropriate tools. Replace any fasteners that appear to be damaged in any way. The chair frame should be checked for looseness, excessive wear or sign of damage. Discontinue chair use if it becomes damaged or unstable. If you have any questions concerning these instructions, please email OFGO STUDIO customer service at [info@ofgo.com](mailto:info@ofgo.com)

