

Unify Shelf Installation

Step 1:

Align the shelf on top of the shelf supports leaving an approximate space of 0.5" from each end. See image A.

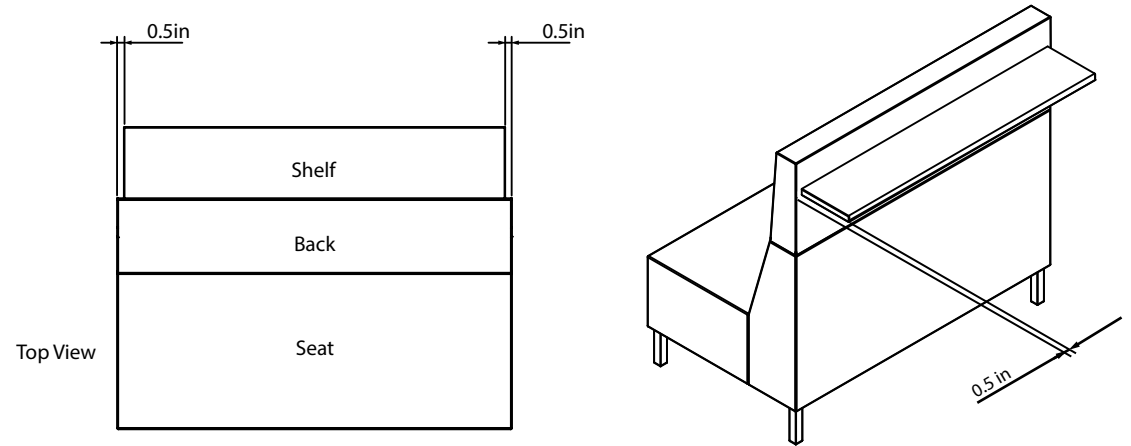
The 0.5" space may vary slightly as fabric selections may create variation in the upholstery process.

When two units are connected together you should be left with an approximate gap of 1" in between the two shelves. See image B.

Step 2:

Once shelf is aligned to the desired position attach using wood screws.

A



B

