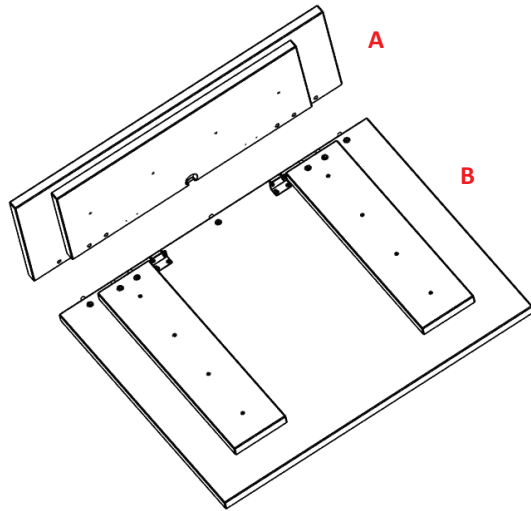
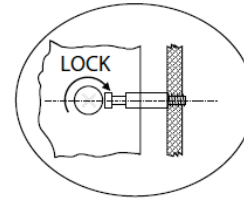


HOW TO HANG AN HOTC COUNTERTOP

(Step 1) Assemble Part A and B together with KD Connectors (Pin & Cam).



$\frac{3}{4}$ turn to lock pin and cam



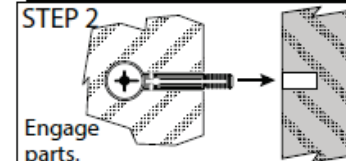
EXPANDING PIN INSTALLATION

STEP 1



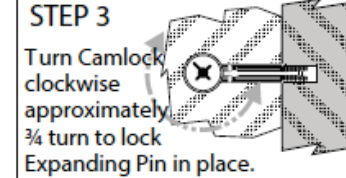
Push Expanding Pin(s) into Camlock(s), with groove in Pin Sleeve oriented as shown.

STEP 2



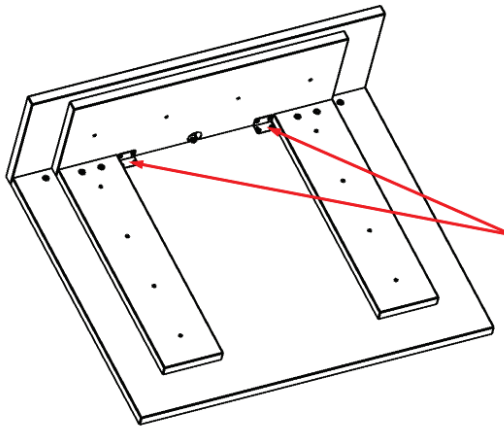
Engage parts.

STEP 3



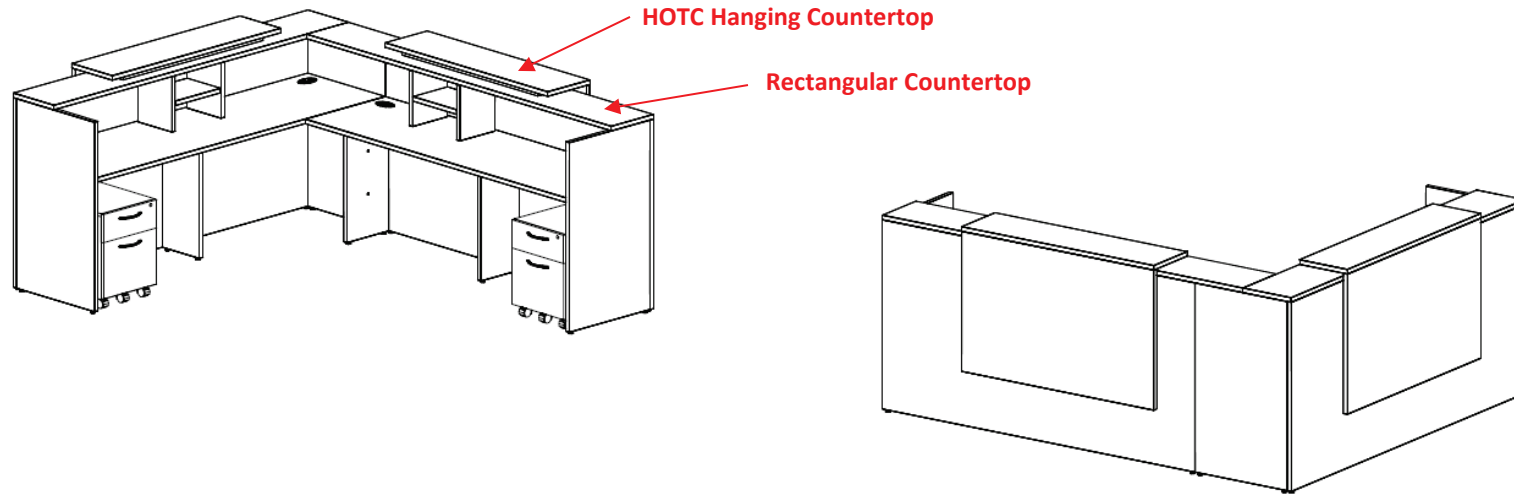
Turn Camlock clockwise approximately $\frac{3}{4}$ turn to lock Expanding Pin in place.

(Step 2) Secure together with "L" brackets and wood screws provided.



HOW TO HANG AN HOTC COUNTERTOP

(Step 3) Once secured together the HOTC countertop is ready to be installed on to your reception station. The HOTC counter top must be installed on top of a rectangular countertop. See example below:



To secure in place, position the HOTC unit on top of the rectangular countertop and secure from underneath the countertop with 1-3/4" wood screws. There will be pilot holes located underneath the countertop that will ensure correct positioning.

Once the unit is positioned and secured down with screws from the underside of the countertop, place additional wood screws through the backside of the unit. Make sure the screws go through the strips of melamine located on the backside of the IN4812

See below figure 1.1 for inset of screws.

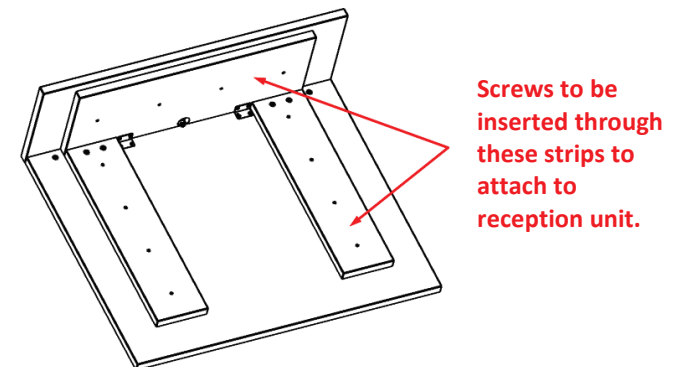


Figure 1.1

