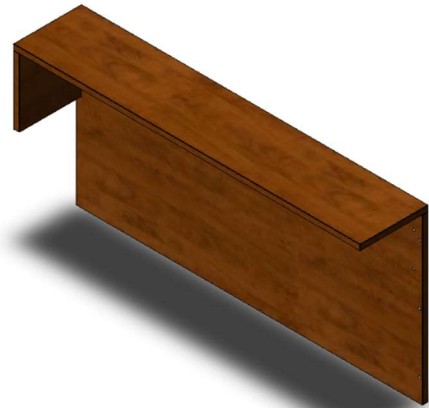


STEP ONE:

ASSEMBLE RFC-DOSO UNIT:

ASSEMBLE TOP, SIDE, AND BACK PANEL WITH CAM & PINS PROVIDED.



STEP TWO:

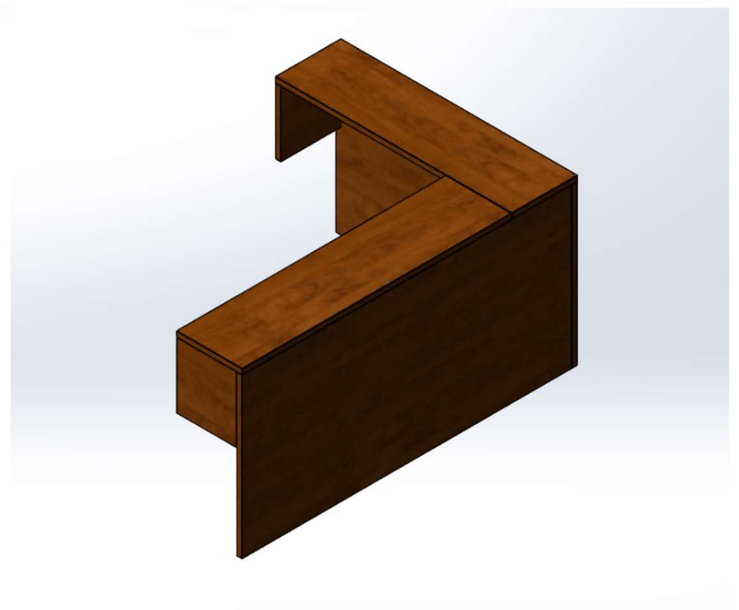
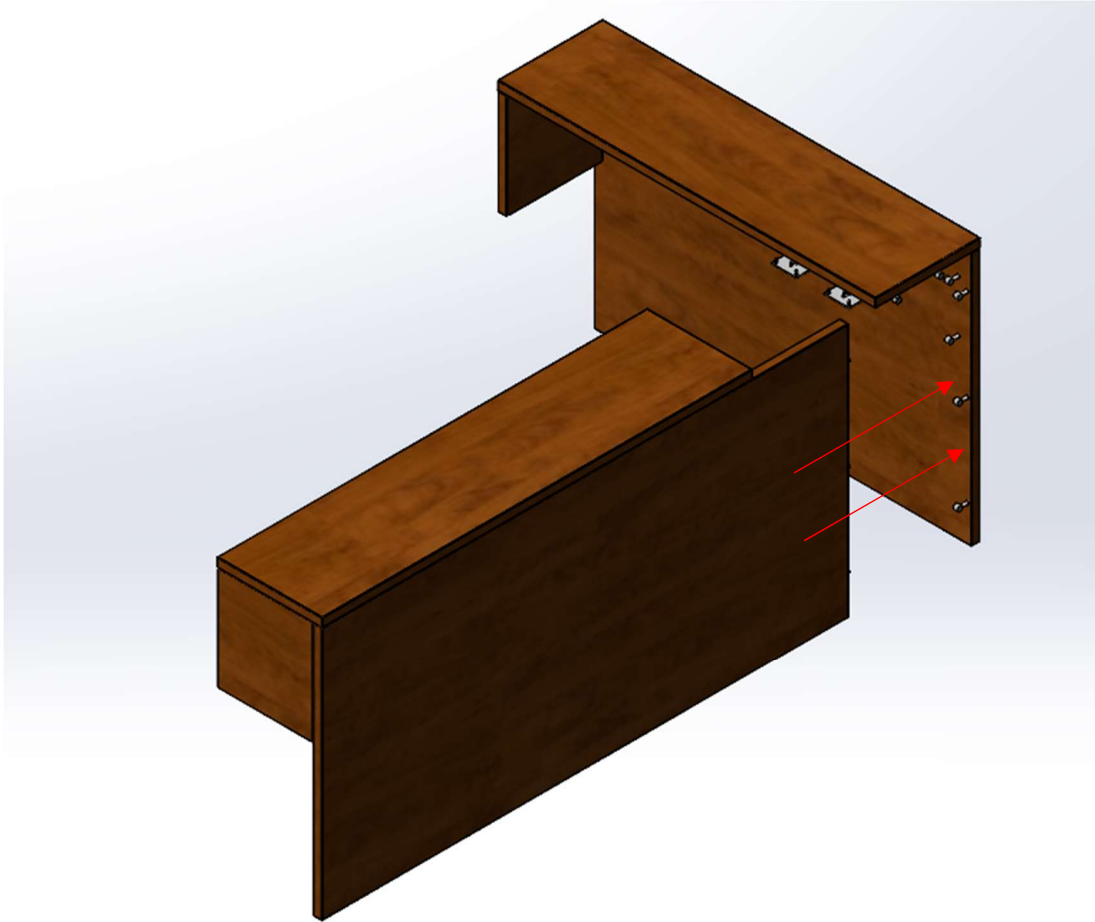
ASSEMBLE RSE-DOSO UNIT BELOW:

ASSEMBLE TOP, SIDE, AND BACK PANEL WITH CAM & PINS PROVIDED.



STEP THREE:

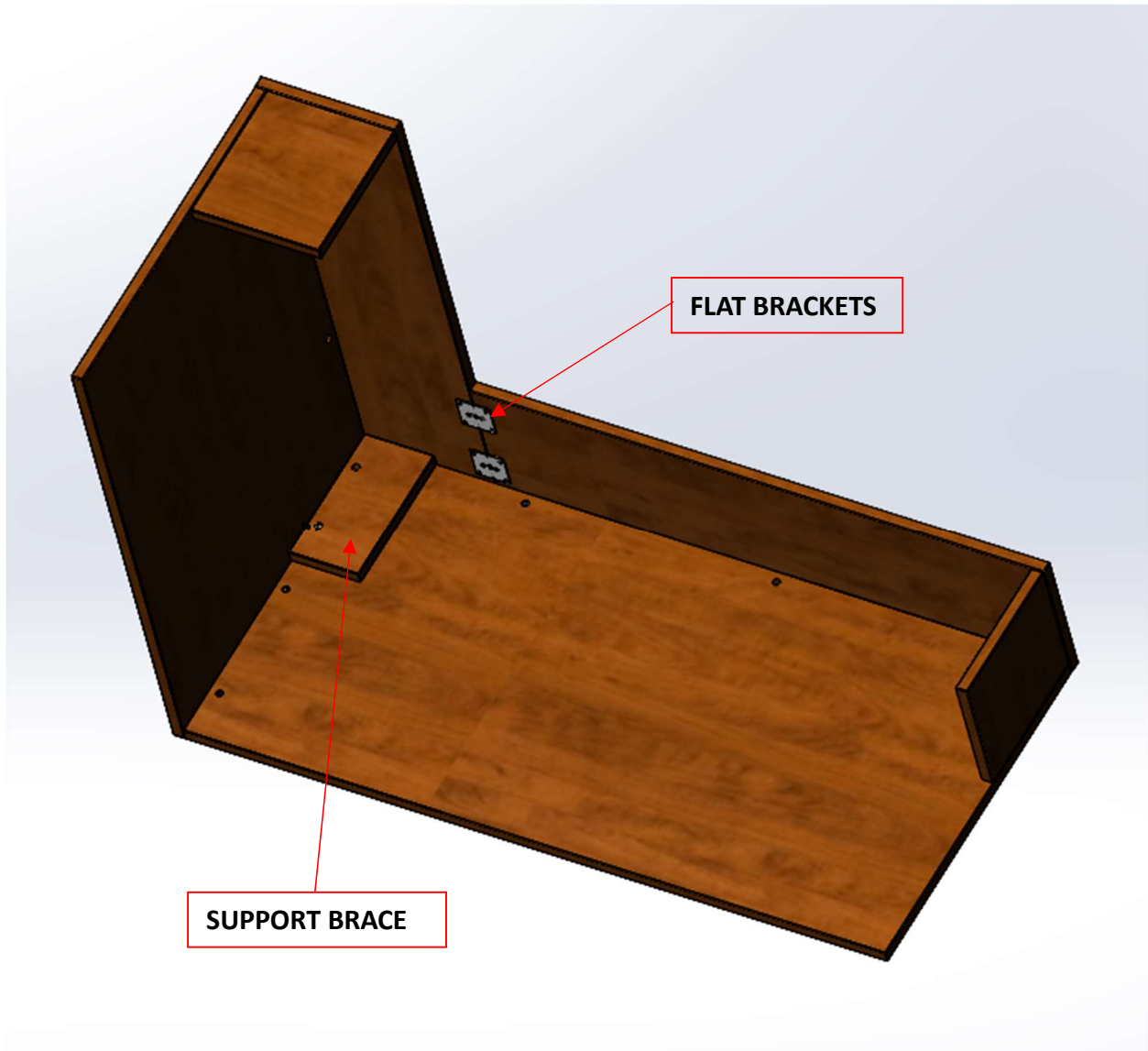
ATTACH THE RSE-DOSO UNIT AND RFC-DOSO UNIT TOGETHER AS SHOWN BELOW AND SECURE IN PLACE USING THE CAMS AND PINS PROVIDED.



STEP FOUR:

ATTACH THE SUPPORT BRACE SHOWN BELOW UNDERNEATH THE RFC-DOSO UNIT AND SECURE IN PLACE WITH THE CAMS & PINS PROVIDED.

FASTEN THE TOPS OF THE RSE-DOSO UNIT AND RFC-DOSO UNIT TOGETHER USING THE FLAT BRACKETS & 5/8" WOOD SCREWS PROVIDED.

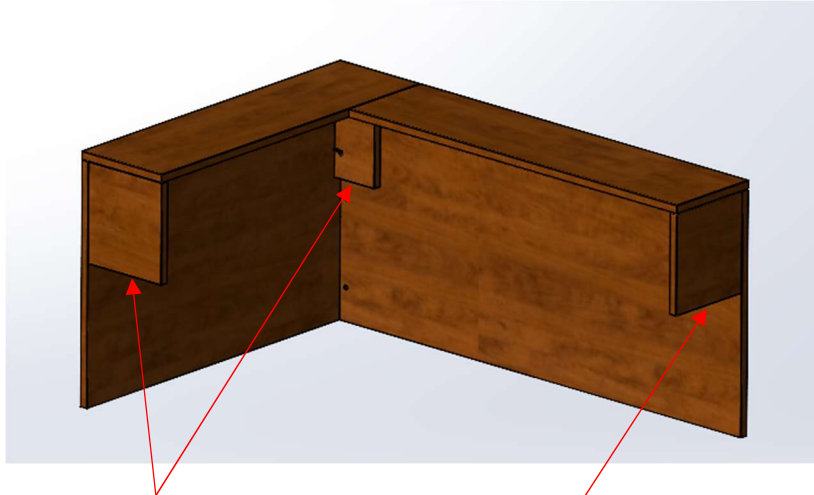


STEP FIVE:

THE UNIT IS NOW FULLY ASSEMBLED AND READY TO BE PLACED ONTO YOUR RECEPTION DESK.

SET THE UNIT IN PLACE INTO YOUR DESIRED POSITION ON TOP OF DESK SHELL SURFACES.

SECURE IN PLACE WITH VELCRO UNDER THE SIDE PANELS.



ATTACH VELCRO UNDERNEATH END PANELS & SUPPORT BRACE.

UNDERNEATH THE DESK SHELL SURFACES, MEASURE DOWNWARDS 3" FROM THE UNDERSIDE OF THE TOP AND INSERT **1-3/4" WOOD SCREWS** THROUGH THE DESK BACK PANEL AND INTO TO UNIT TO CONNECT INTO PLACE. QTY 3 SCREWS ARE REQUIRED ON EACH SIDE (6 SCREWS IN TOTAL).

TWO INSTALLERS ARE REQUIRED FOR THIS STEP. ONE INSTALLER MUST PUSH THE BACK PANEL FORWARD WHILE THE SECOND INSTALLER INSERTS THE SCREWS THROUGH THE DESK SHELL AND INTO THE BACK PANEL OF THE UNIT.



WOOD SCREWS WILL GO THROUGH THE UNDERSIDE OF THE DESK SHELL BACK PANELS & INTO THE HANG ON COUNTERTOP BACK PANELS.

PLACE PRESSURE ON THIS SIDE WHILE INSTALLING WOOD SCREWS.

PLACE PRESSURE ON THIS SIDE WHILE INSTALLING WOOD SCREWS.