

COMPONENT BREAKDOWN:



DISCLAIMERS

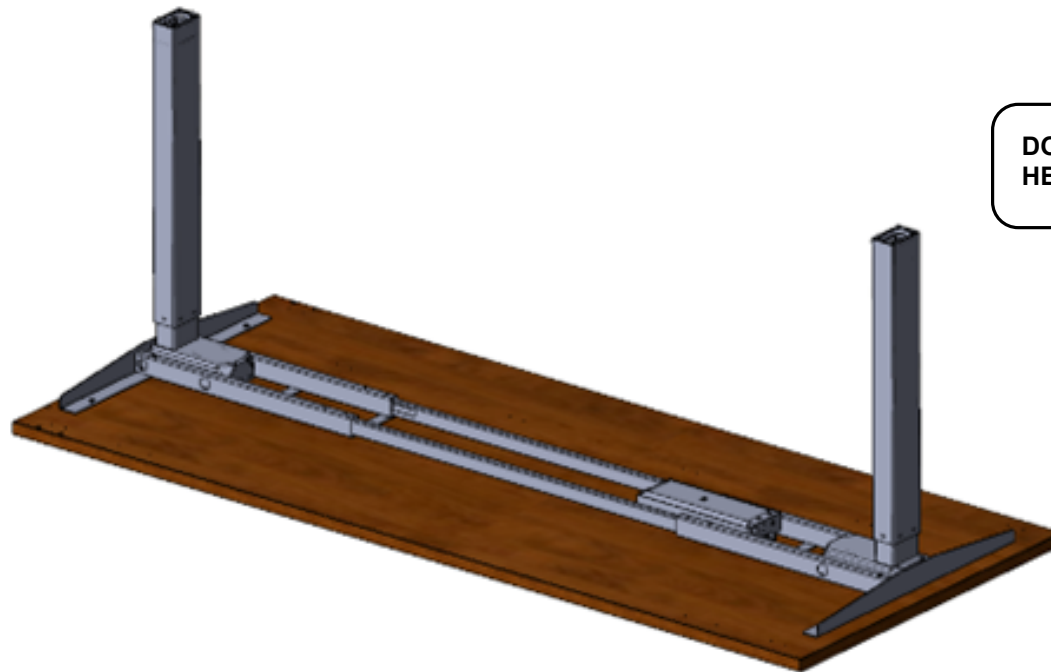
- Use all hardware provided to secure components as specified.
- This installation will require 2 or more people.
- Read all instructions and review all illustrations before installing. Failure to observe these warnings could result in injury.
- Product that is damaged by the end user due to misuse, accident, abuse, negligence or shipping is not covered under warranty.

STEP ONE

Place the top on a soft, clean, scratch resistant surface with the pilot holes facing upwards.

Assemble the height adjustable table frame (without the feet) using the assembly instructions provided with the height adjustable table frame.

Attach the height adjustable table frame to the worksurface using the hardware located with the height adjustable table frame.



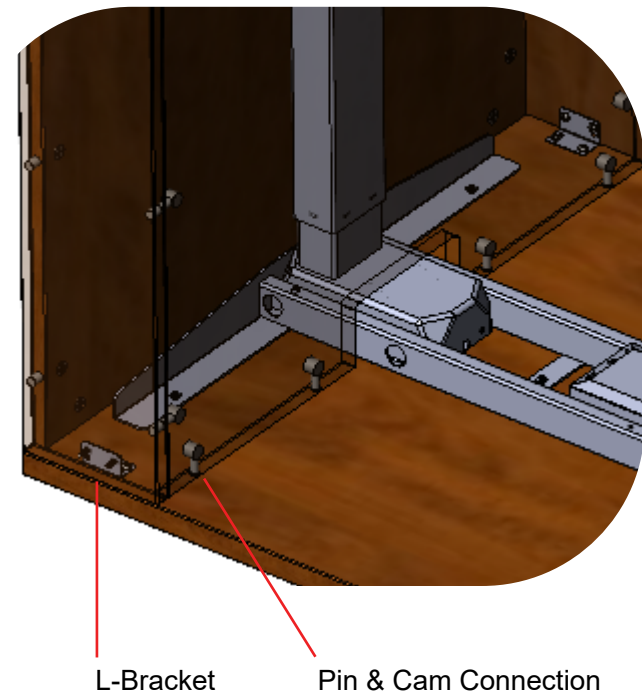
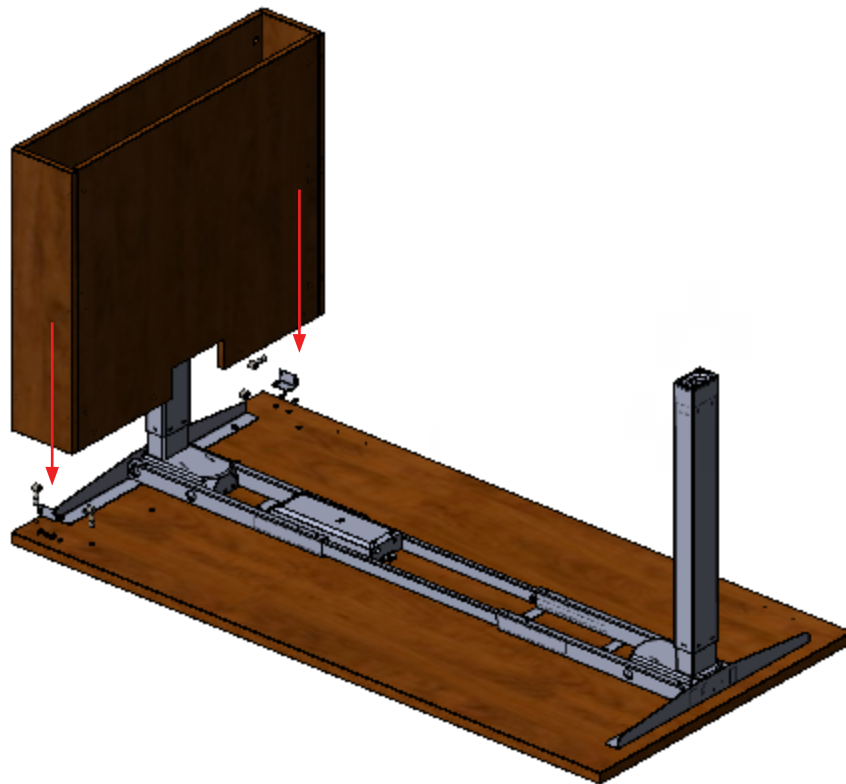
**DO NOT INSTALL FEET ON
HEIGHT ADJUSTABLE BASE**

STEP TWO

Take the preassembled **upper shroud box** and place it over the column and on to the top. Align the pins with the pre-drilled holes located in the top.

Note: the upper laminate shroud box will have a notch on one side. That notch should be facing inwards during installation.

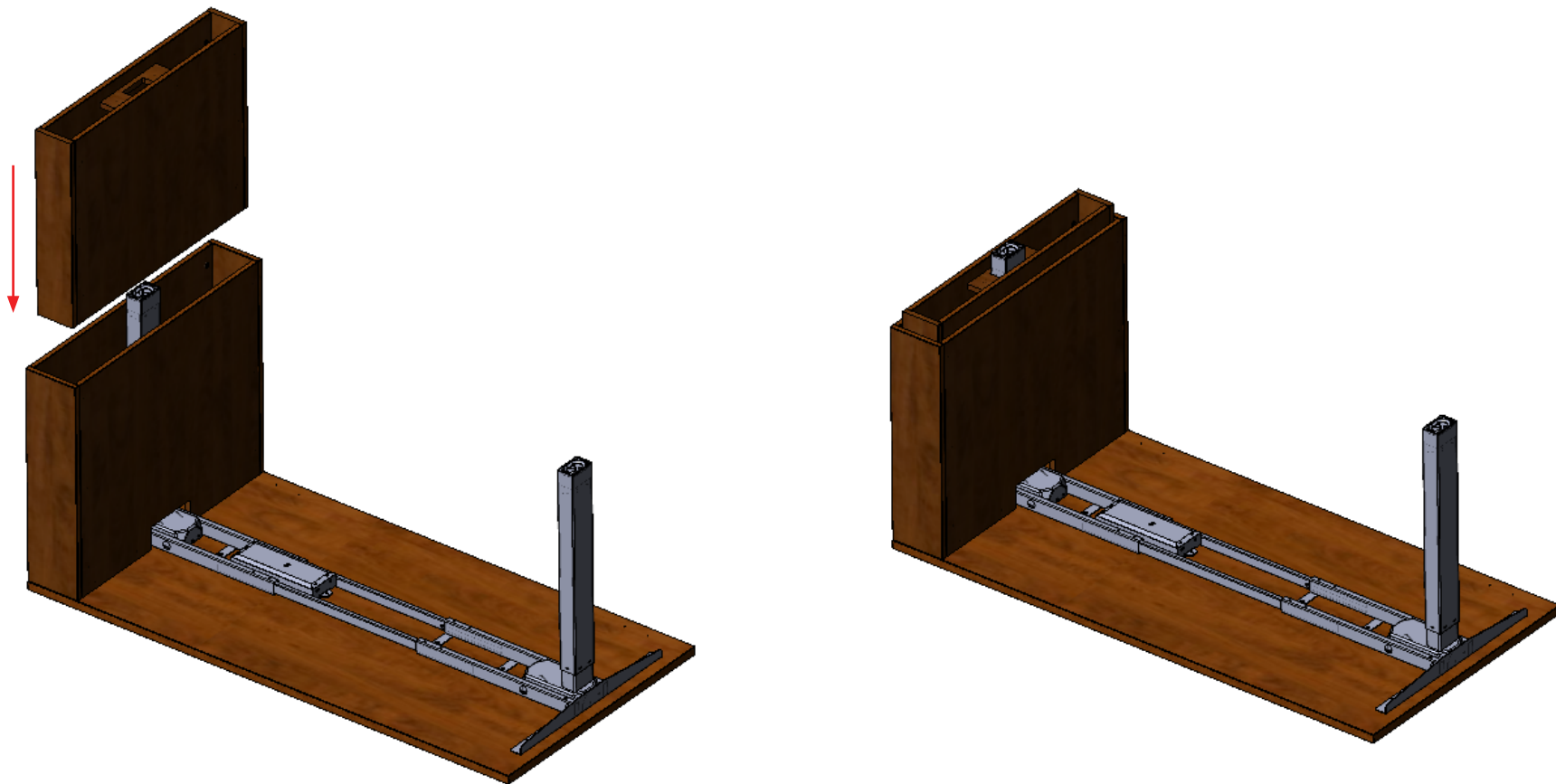
Affix the upper shroud box into place by: (A) locking the Pin & Cam connectors, and (B) attaching the L-Brackets with the 5/8" wood screws provided.



STEP THREE

Take the preassembled **lower shroud box** and slide it carefully through the height adjustable base column.

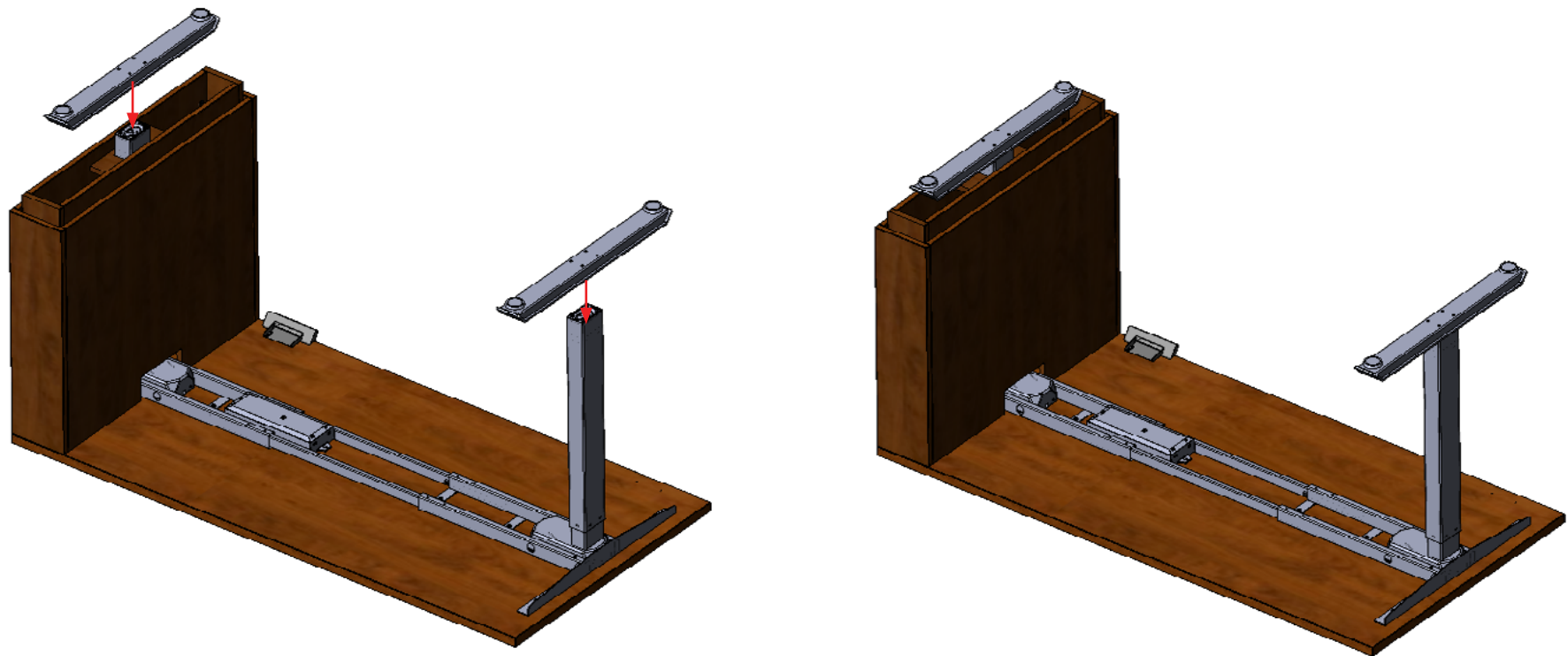
Note: The lower laminate shroud box should sit inside the upper laminate shroud box.



STEP FOUR

Attach the height adjustable base T-Feet and floor levelers onto both the height adjustable base columns.

Note: the hardware to attach the T-Feet will be located in the box with the T-Feet.



STEP FIVE

With two or more people, carefully flip the desk into an upright position.

Complete the installation by attaching the control box, patch cables, and plug needed to power up the height adjustable base.

