

USER GUIDE
2-LEG ELECTRIC HEIGHT ADJUSTABLE DESK



OFGO STUDIO

SAFETY AND WARNINGS

WARNING

Read all instructions and review all illustrations before installing. Failure to observe these warnings could result in a fire or electrical shock. This installation and operation manual should be provided to any user, installer or support personnel operating this product.

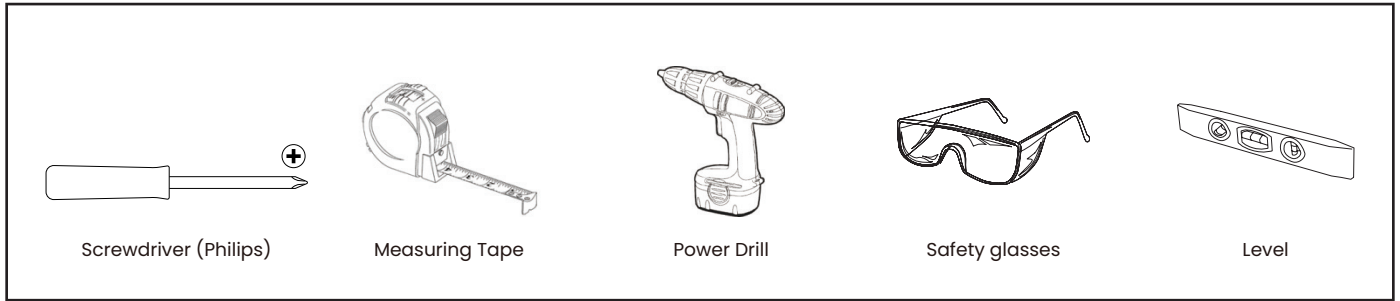
- Make sure no obstacles are in the desk's path.
- Make sure the desktop is not touching any walls.
- Make sure all cords are appropriate length to accommodate the change in height.
- Children should only operate the desk under adult supervision.
- There is a risk of injury and electric shock if not properly installed.
- Keep liquids away from electrical components.
- Do not sit or stand on the desk frame.
- Do not crawl or lie under the desk frame.
- Do not open any of the electrical components. There is a danger of electric shock.
- This product is designed with a duty cycle of 10% (2min. on, 18 min. off).
- In the event of a power outage or if the power cord is unplugged, a manual reset may be necessary.
- Make sure no object taller than 20" (50cm) is placed underneath the desk.

LIABILITY

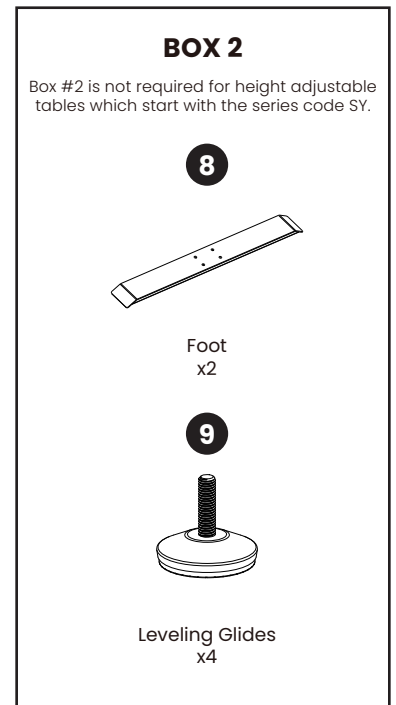
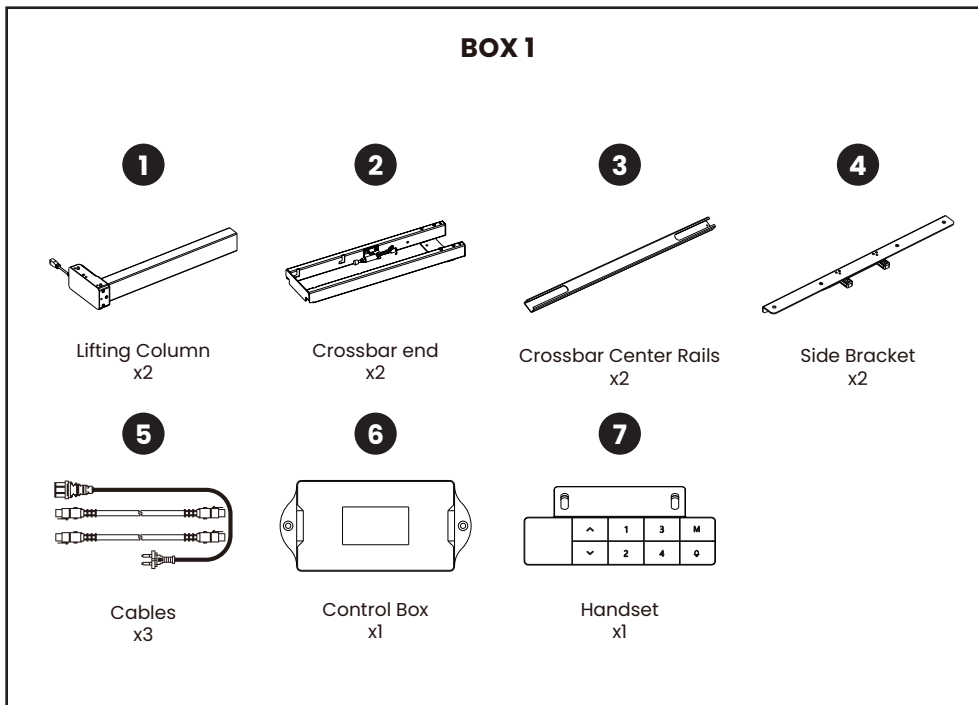
This height adjustable desk has electric motors and is designed for use in dry work areas only. The desk height is adjustable so that it can be positioned at the most ergonomically suitable height. Any other use is at user's risk. Under no circumstances does the manufacturer accept warranty or liability claims for damages caused from improper use or handling of the desk frame.



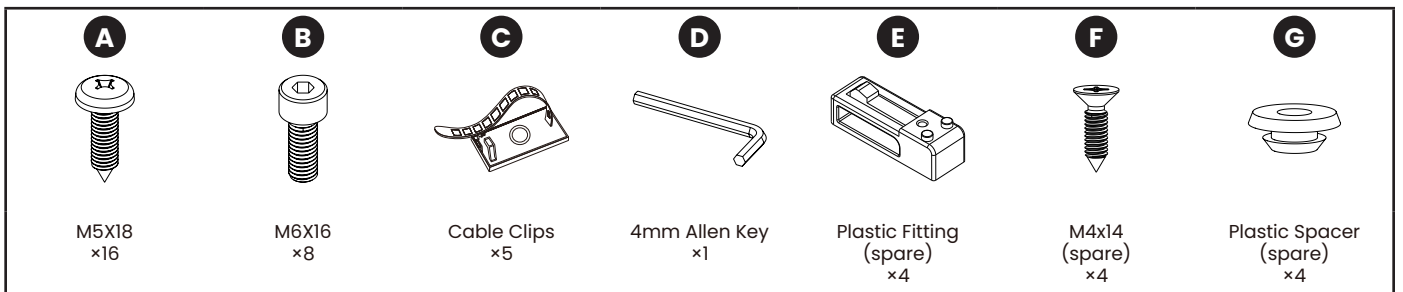
TOOLS REQUIRED



COMPONENTS

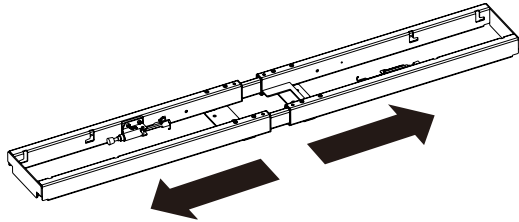



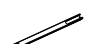
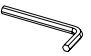
HARDWARE

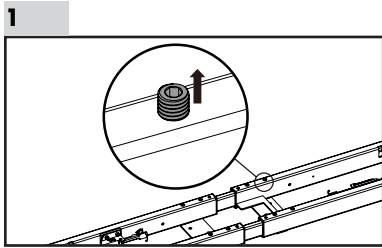


ASSEMBLY INSTRUCTIONS

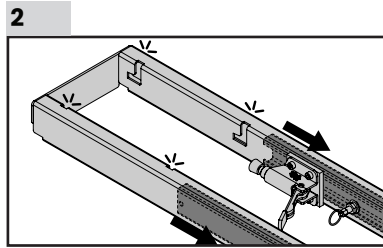
1. PULL OUT THE FRAME



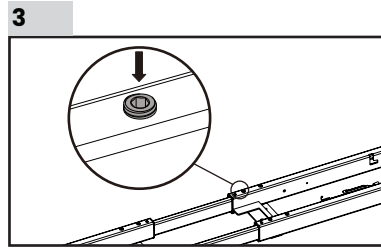
- 2** Crossbar end ×2 
- 3** Crossbar Center Rails ×2 
- D** 4mm Allen Key ×1 



Using the 4mm Allen key **D** loosen the set screws on the crossbar ends **2**.



Extend the tubing so that the slots are cleared.

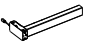


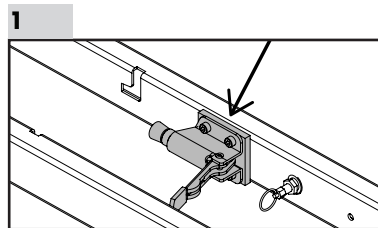
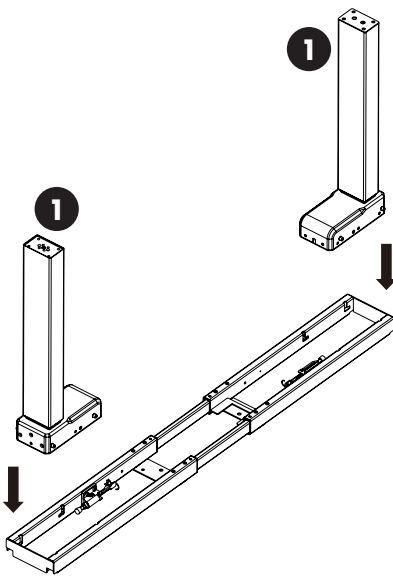
Tighten set screws before continuing.

Important

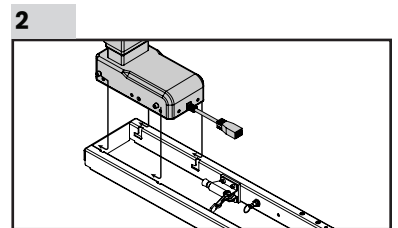
For tables measuring 76" to 96" in length, the standard center beams included with the base must be removed and replaced with longer center extender beams, which are shipped in a separate box.

2. ATTACH LEGS TO FRAME

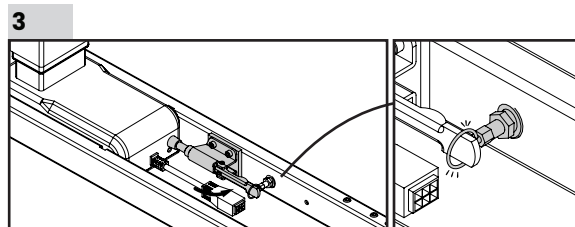
- 1** Lifting Column ×2 



Ensure the Quick Install lever is in the open position.



Slide the lifting column in the slots. Align using screws.



Set the quick latch in the lock position. Lock the quick latch by sliding the ring over the handle.



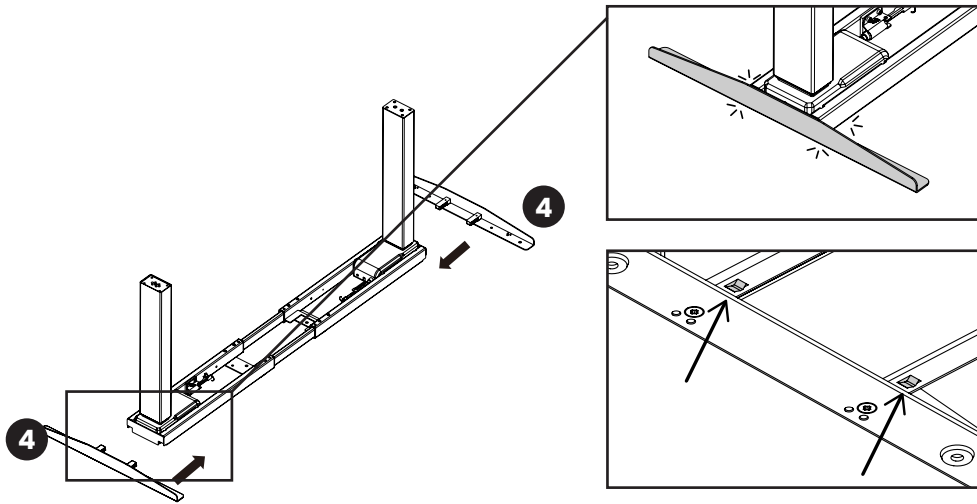
3. ATTACH SIDE BRACKET

- Slide the Side Brackets **4** into the frame and clip in place.

4

Side Bracket

×2



Push on the bracket and ensure they are properly clipped in place.

On the under side, you'll see the clip protrude when inserted properly.

4. ATTACH FEET

- Attach 2 leveling glides **9** to the bottom of each foot **8**.
- Attach feet to lifting columns using M6x16mm **B**.

B

M6x16

×8



9

Leveling Glide

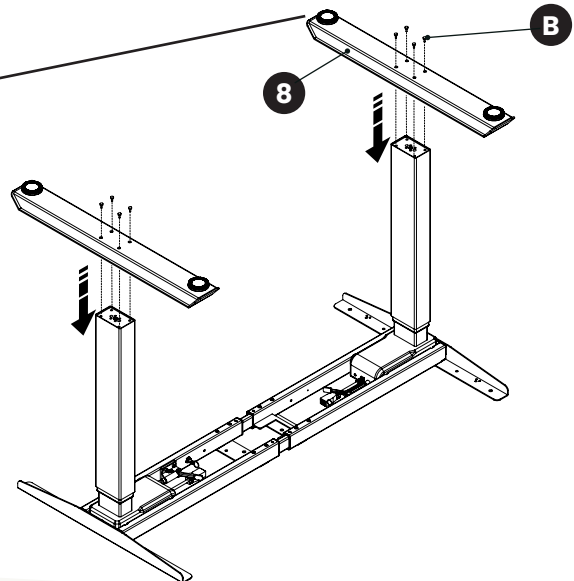
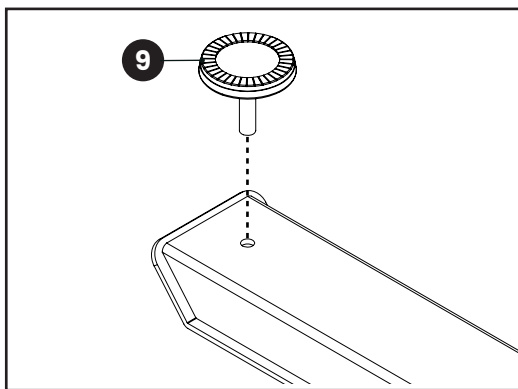
×4



8

Foot

×2



Note

If installing an SY series table and feet are not required, you can skip this step.



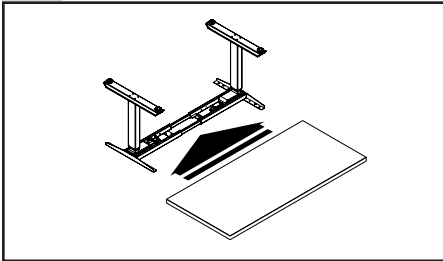
5. ATTACH FRAME TO TABLETOP

A

M5x18
x14



5.1

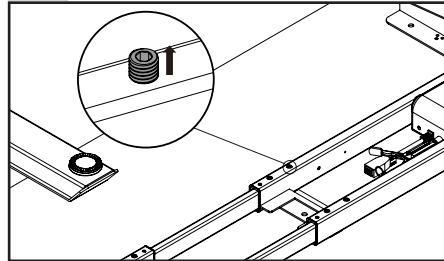


Position the frame on top of the tabletop.

Important

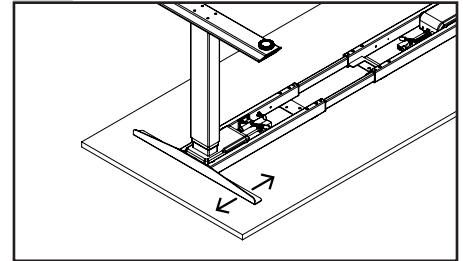
To protect the finish during assembly, place the top on a soft, clean, scratch resistant surface with the pilot holes facing upwards.

5.2



Unscrew the set screws in the center of the frame.

5.3

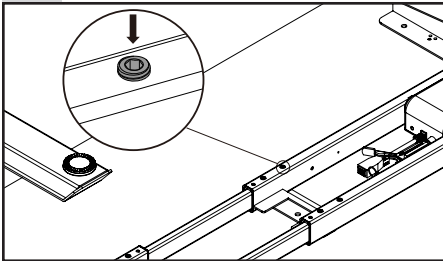


Adjust the frame's length to properly fit the tabletop. The frame can be adjusted to fit tabletops that are 48" to 72" in width.

Reminder

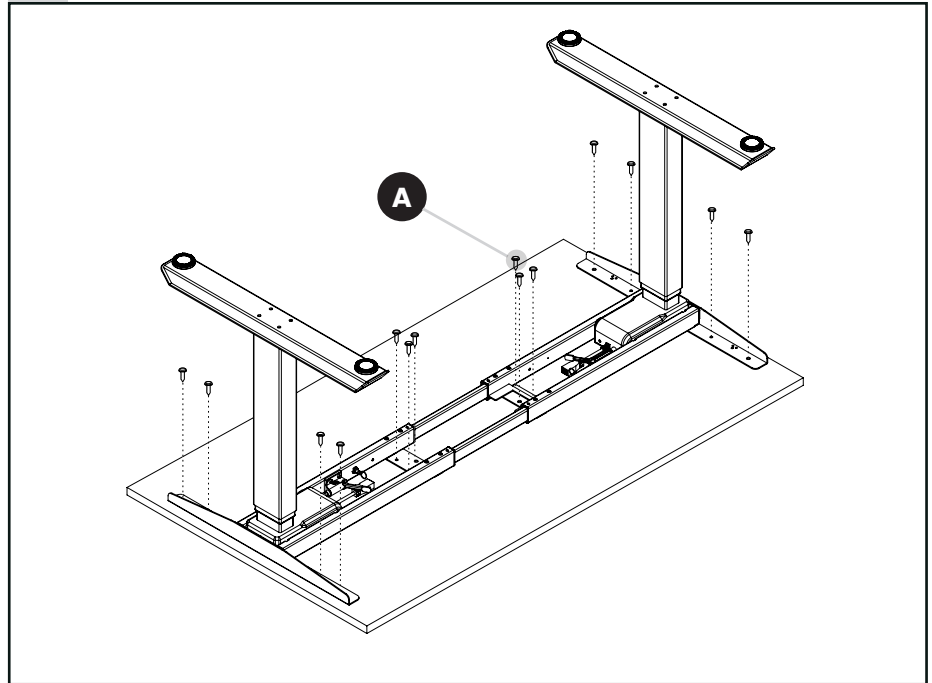
For tables measuring 76" to 96" in length, the standard center beams included with the base must be removed and replaced with longer center extender beams, which are shipped in a separate box.

5.4



Tighten the set screws on frame.

5.5



Use M5x18 screws **A** to attach frame to tabletop. Avoid over tightening the screws.




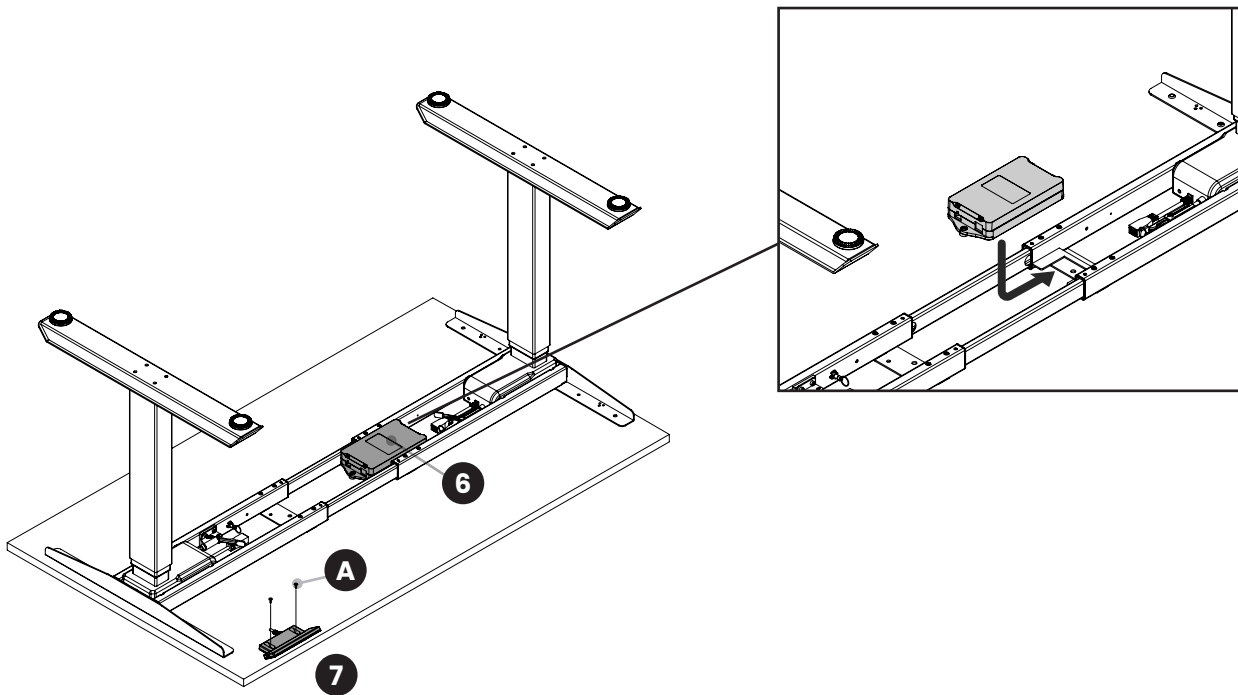
6. ATTACH CONTROL BOX & HANDSET

- Slide the Control Box **6** in the frame bracket.
- Attach Handset **7** to the tabletop using screws **A**.

6 Control Box
x1 

7 Handset
x1 

A M5x18
x2 



7. INSTALL CABLES

- Connect cables **5** as illustrated in diagram below.
- Secure Cables to tabletop using Cable Clips **C**.

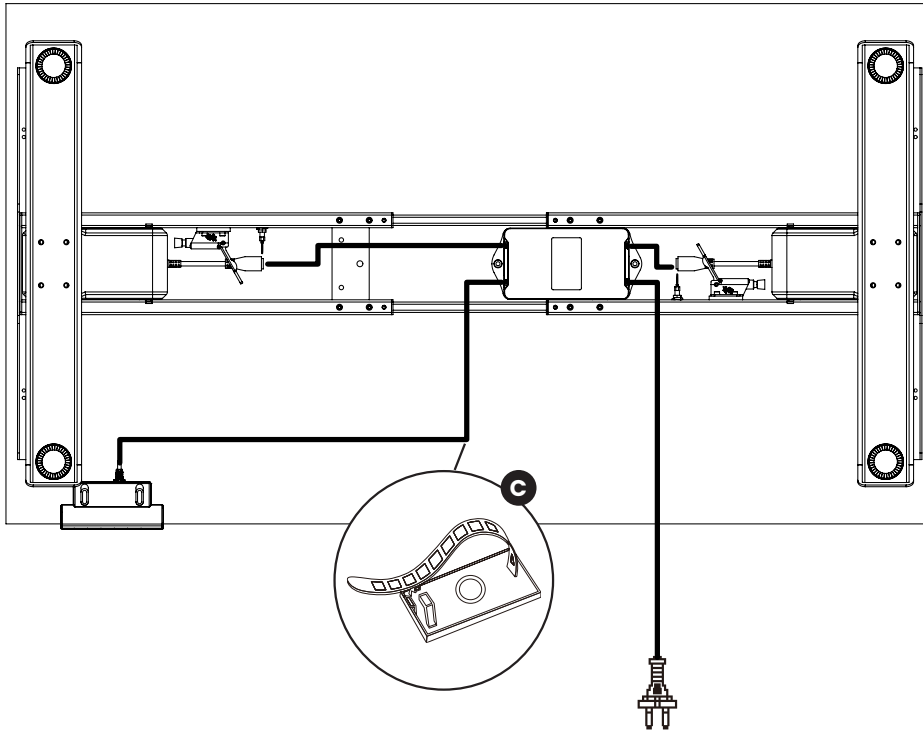
5

Cables



C

Cable Clip

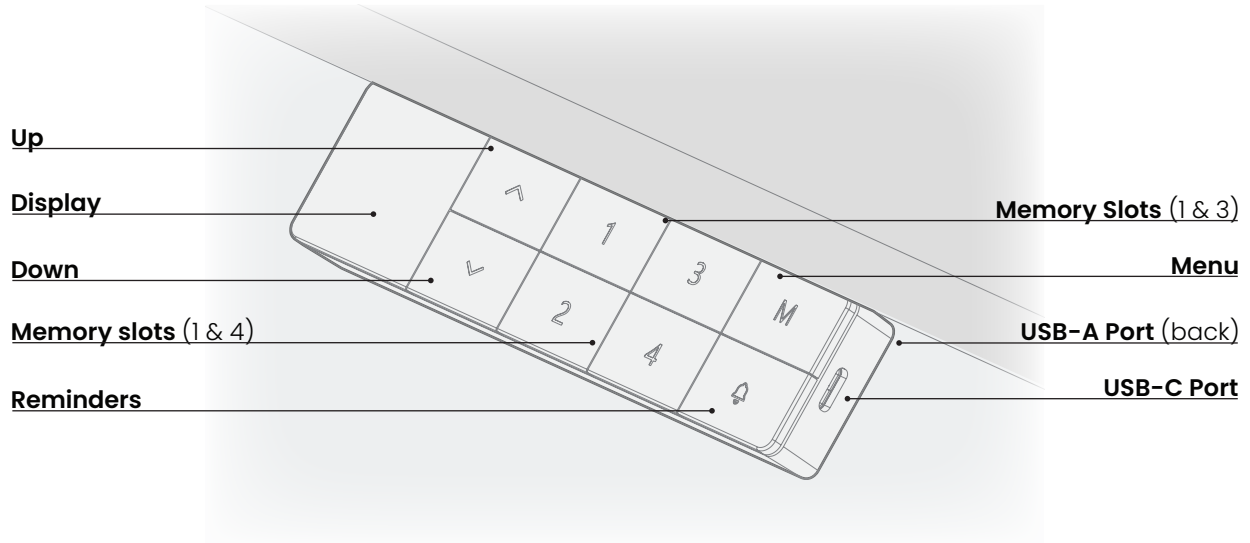


8. FINISH SETUP

- With the help of another person, flip the table upright.
- Adjust the leveling glides. Ensure that the tabletop is level.
- Connect the table to a power outlet.
- **Reset the table:** Refer to page 9 for instructions on how to perform a reset.



CONTROLLER OPERATION



RESET OPERATION



A reset operation is needed when the table is first connected, if it displays "RES", or if it is behaving irregularly.



The table will ignore any programmed maximum height during the reset operation. Clear any items that are located in the table's path.

The anti-collision features will not work when the table is resetting. Ensure there are no obstacles in the table's path.

1. Hold the "**Up**" button until the table reaches its highest point.
2. Press and hold the "**Up**" button when at highest point.
3. The table will start moving and the handset will display "**RES**". Keep holding the "**Up**" button.
4. The reset is completed when the table stops moving, the "**RES**" message is cleared and the handset displays the current height.

Releasing the "**Up**" button when "**RES**" appears will interrupt the reset. If incomplete, "**RES**" will remain on the display, and the table cannot be adjusted until a reset is completed.



BASIC USE

POWER ON

The handset will power automatically when plugged in.

HEIGHT ADJUSTMENT

- Press and hold the **“Up”** button to raise the table. Release to stop.
- Press and hold the **“Down”** button to lower the table. Release to stop.

SAVE HEIGHT TO MEMORY

1. Position the table at the desired height.
2. Press the “Menu” button. The display will indicate **“S--”**.
3. Press one of the “Memory Slot” buttons to select where to save the height.
4. To adjust the table to the preset, select the number it was save to.

Depending on the automatic mode configuration, the number might need to be held to reach the saved height.

SAFETY LOCK

- To lock, press and hold the **“Up”** and **“Down”** buttons simultaneously. The display will read **“LOC”** when locked.
- To unlock, press and hold the **“Up”** and **“Down”** buttons simultaneously until the display indicates the current height.

SLEEP MODE

The display will turn off after 1 minute of inactivity. Press any key to wake the handset.

USB CHARGING

The handset has a USB-C port located on its side, and a USB-A port located at the back.

Power delivery: 18W Quick charging, power divided between the two ports when both in use.

ANTI-COLLISION PROTECTION

When the tabletop encounters an obstacle in the process of ascending or descending, it will immediately travel slightly in the opposite direction. The table will operate normally after obstacles are removed.



MINIMUM AND MAXIMUM HEIGHT LIMIT SETTING



This feature allows to set custom height limits for the table, preventing it from moving beyond a defined range. It is useful for restricting movement to a preferred working height or to avoid an obstacle.



Use this function only if necessary.

SETTING A HEIGHT LIMIT:

- Move the table to the desired height (minimum or maximum).
- To set the custom limit, press and hold **"M" + the corresponding arrow button ("Up" for maximum or "Down" for minimum)** for 5 seconds.
- The table will beep to indicate that the limit has been set.

REMOVING A HEIGHT LIMIT

- Position the table at the programmed limit (minimum or maximum).
- To remove the custom limit, press and hold **"M" + the corresponding arrow button ("Up" for maximum or "Down" for minimum)** for 5 seconds.
- The table will beep to indicate that the limit has been removed.

CHANGE POSITION REMINDER (🔔)

This feature is intended to help avoid sitting down for too long by providing periodic reminders to stand up.

SETTING REMINDER TIME

By default, reminders are deactivated, which is indicated by an interval of **"0.0h"**

- Press the **"🔔"** button to access the reminder menu.
The display will read the interval between reminders.
- Use the **"Up"** or **"Down"** buttons to adjust the reminder interval.
- The time can range from 0 hours to 9 hours, adjustable in 30-minute increments

REMINDER ACTIVATION

The handset will notify the entered time is saved by displaying **"..."** When active, the handset beeps at the set interval.

DISABLING REMINDERS

To disable the reminders, set the reminder time to **"0.0h"**



SETTINGS MENU

The settings menu allows to customize various desk functions, such as units preferences, height limits and collision sensitivity.

CONTROLS

- To access the settings menu, press and hold the “Menu” button until the content on the display starts flashing.
- Switch between the different settings by pressing the “Menu” button.
- Use the “Up” and “Down” button to adjust a setting.
- To save and exit, press and hold the “Menu” button. The display will exit back to the displayed height.



Some safety features, such as the gyro sensitivity, downward anti-collision sensitivity and upward anti-collision sensitivity can be deactivated.

If deactivated, the **desk will not stop if an obstacle is in its path**. Deactivating these safety features can result in **property damage or serious injury**.

SETTINGS LIST

DISPLAY	OPTION	DESCRIPTION
1-X	Display Units	Change the display units. 1-0: Centimeters 1-1: Inches
2-X	Gyro sensitivity	Adjust the gyroscope's sensitivity. 2-0: Off (Not recommended) 2-1: Most sensitive 2-8: Least sensitive
3-X	Upward anti-collision sensitivity	Adjust sensitivity to obstacles when moving upwards. 3-0: Off (Not recommended) 3-1: Most sensitive 3-8: Least sensitive
4-X	Downward anti-collision sensitivity	Adjust sensitivity to obstacles when moving downwards. 4-0: Off (Not recommended) 4-1: Most sensitive 4-8: Least sensitive
5-X	Tilt sensitivity	Adjust tilt detection sensitivity. 5-0: Off (Not recommended) 5-1: Most sensitive 5-8: Least sensitive
XXX	Minimum table height	Define the lowest frame height without a tabletop. To set: 1. Lower the table to its minimum height. 2. Measure under the tabletop. 3. Adjust to match the measured height.
7-X	Automatic presets	Configure how height preset buttons function. 7-0: Press and hold the preset keys to move to the saved height. 7-1: Pressing once moves the desk until pressed again.



TROUBLESHOOT GUIDE

Consult this guide if a handset displays an error code. Before performing any troubleshooting steps, be sure the outlet is working and the following connections are secure:

- Handset cable to control box.
- Lifting column to cables.
- Cables to control box.
- Power cord to control box.

ERROR MESSAGE LIST

CODE	ISSUE	TROUBLESHOOT
HOT	The control box is overheating or ran for more than two minutes in an 18-minute time window.	Wait for the control box temperature to drop by letting the system rest for 18 minutes before running again. If the table needs to be moved immediately, disconnect for 15 seconds and plug back in.
LOC	Handset is locked. (safety feature.)	To unlock the desk, press and hold the “Up” and “Down” buttons simultaneously until the display indicates the current height.
--- /8.8.8	Bad connection to the handset.	Ensure both the handset and control box are properly connected. <ul style="list-style-type: none"> • If the issue persists, try replacing the handset. • If the issue persists after replacing the handset, try replacing the control box
Blank Screen	No power or disconnected cables.	Ensure all cables are properly connected. <ul style="list-style-type: none"> • If the issue persists, try replacing the handset. • If the issue persists after replacing the handset, try replacing the control box
E4	Poor connection of handset cable port.	Check if the cable is properly connected, if the issue persists, replace the control box
E6	Power failure.	Ensure power cable is properly connected. If the issue persists, replace the power supply
E7	Abnormal power during operation.	Restart the table by unplugging the power cable for 15 seconds and plugging back in.
E8	The desk tilted during operation.	Reset the table. See page 9 for reset steps.
E11-E28	Defective control box or lift column.	<ol style="list-style-type: none"> Check if the control box or column is faulty: Switch the connections for the lifting columns M1 and M2(M3 if applicable). reconnect the power cable and check the error code. <ol style="list-style-type: none"> If the same code appears, replace the control box. If the message changes, you will need to replace a lift column. Check which column is faulty: <ol style="list-style-type: none"> E11-E18 means the column M1 is faulty. E21-E28 means the column M2 is faulty. E31-E38 means the column M3 is faulty (3-leg only).
E36	3rd leg motor shutoff (3-leg only).	Reset the table. See page 9 for reset steps.
E42	Memory error.	Replace the handset.
E43	Stop sensor error.	Replace the handset.

