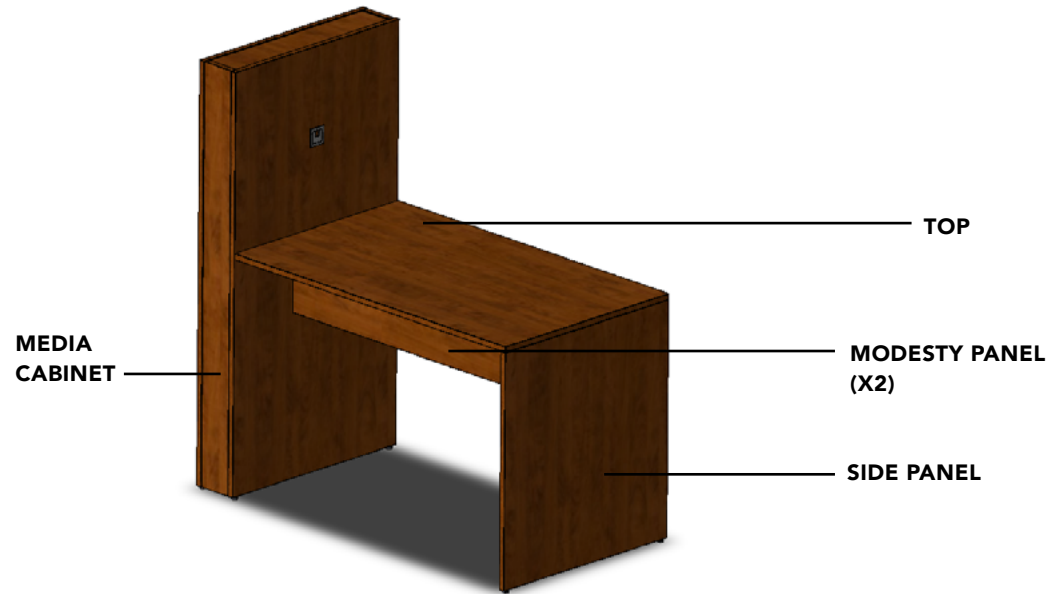


COMPONENT BREAKDOWN:



HARDWARE INCLUDED:



DISCLAIMERS

- Use all hardware provided to secure components as specified.
- This installation will require 2 or more people.
- Read all instructions and review all illustrations before installing. Failure to observe these warnings could result in injury.
- Product that is damaged by the end user due to misuse, accident, abuse, negligence or shipping is not covered under warranty.

STEP ONE

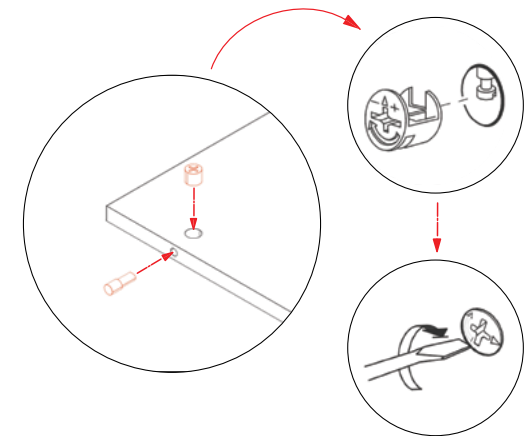
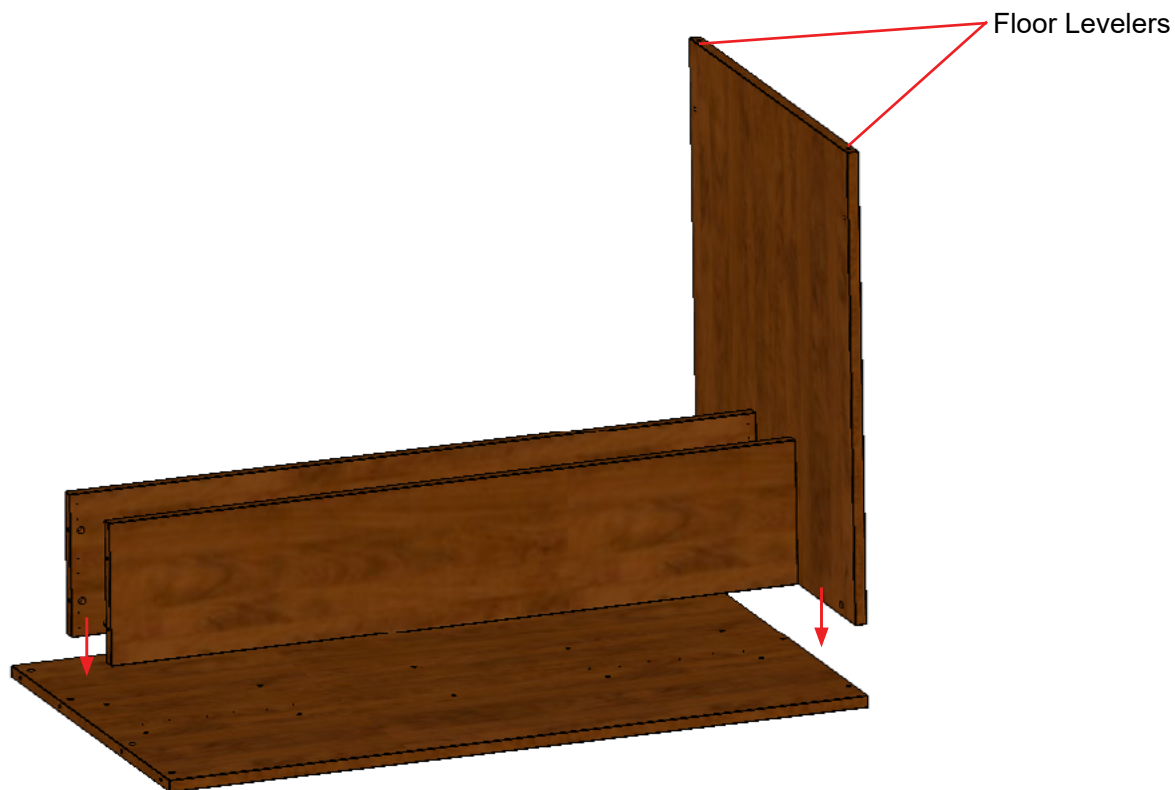
Place top on soft, clean, scratch resistant surface with the pilot holes facing upwards.



STEP TWO

Attach the modesty panels to the side panel to the top using the provided pins and cams. Cover any exposed cams using the cover caps provided.

Insert Floor Levelers into the Side Panel (If not already inserted).

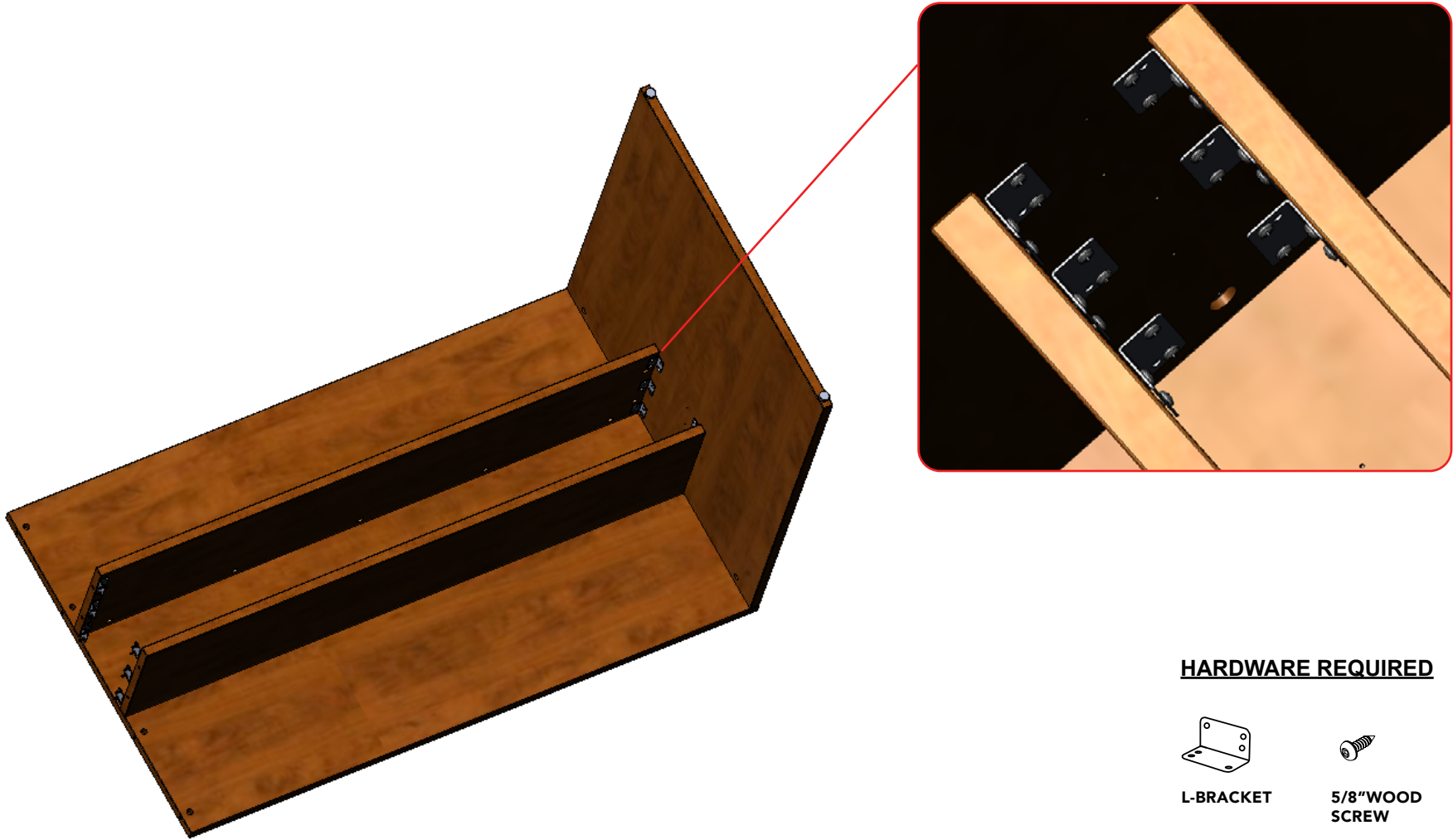


HARDWARE REQUIRED

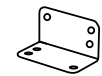


STEP THREE

Using the provided pilot holes, attach six L-brackets to each side of the modesty panel with 5/8" wood screws. Ensure the brackets are securely fastened to hold the modesty panels firmly to the one side of the side panel.



HARDWARE REQUIRED



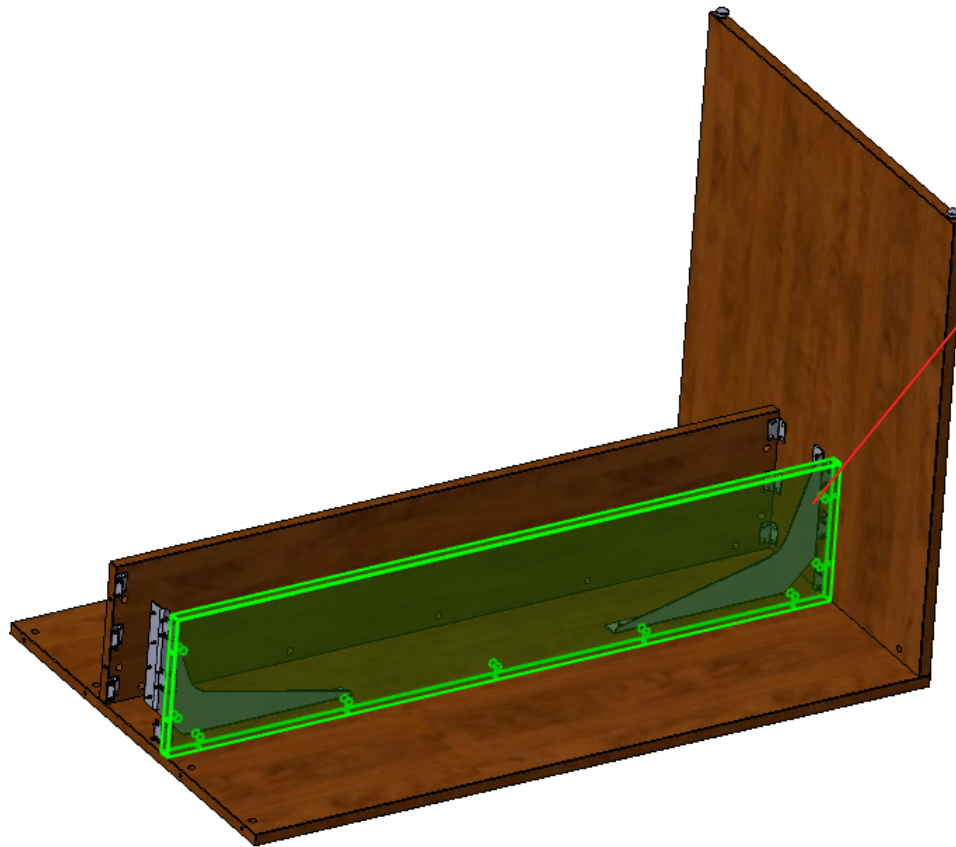
L-BRACKET



5/8" WOOD
SCREW

STEP FOUR

Using the provided pilot holes, attach one 12"x18" brace to each side of the modesty panel with 5/8" wood screws. This will further reinforce the connection between the modesty panel and the side panel.



Note: The green-shaded area represents a transparent view, allowing for better visibility of the internal components.

HARDWARE REQUIRED



12" X 18"
BRACE

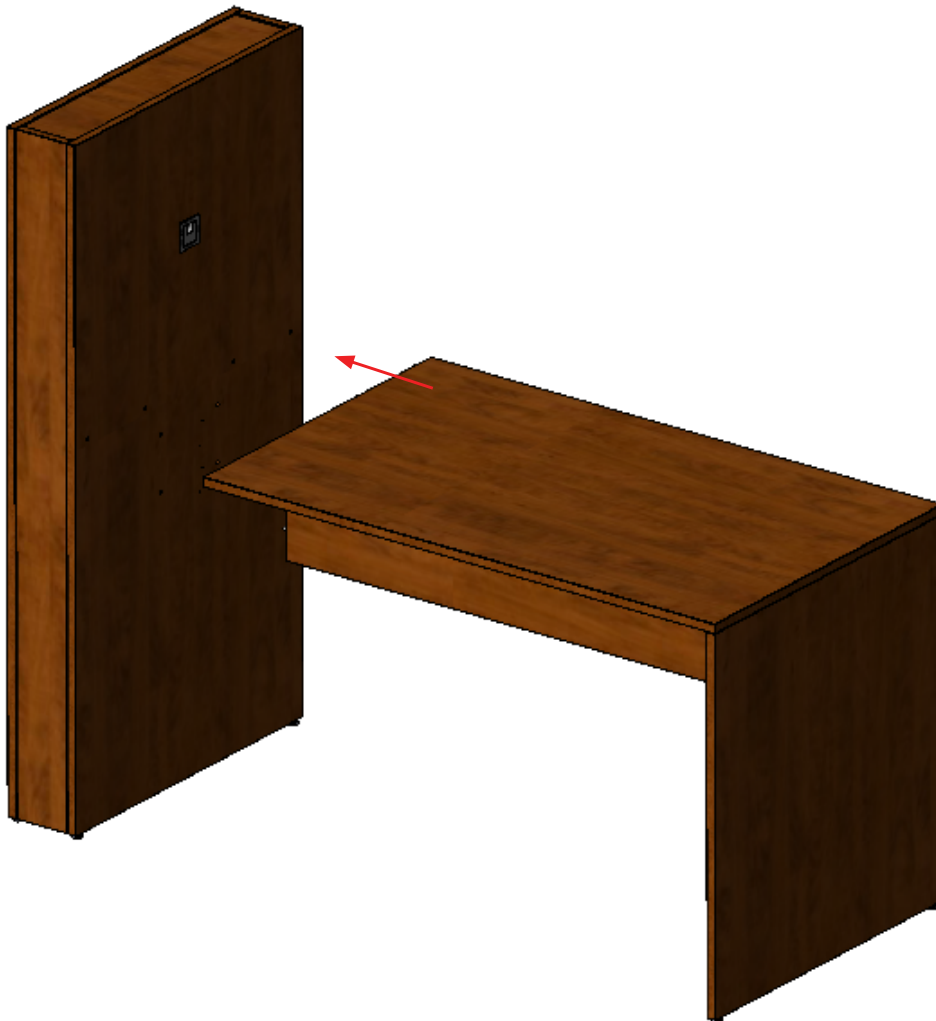


5/8" WOOD
SCREW

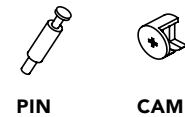
STEP FIVE

With two or more people, carefully flip the table into an upright position.

Insert the pins into the Media Cabinet. Push the table up against the Media Cabinet and insert the cams into the underside of the top to lock the table into place.



HARDWARE REQUIRED



STEP SIX

Attach the six L-brackets to the Media Cabinet with 5/8" wood screws.

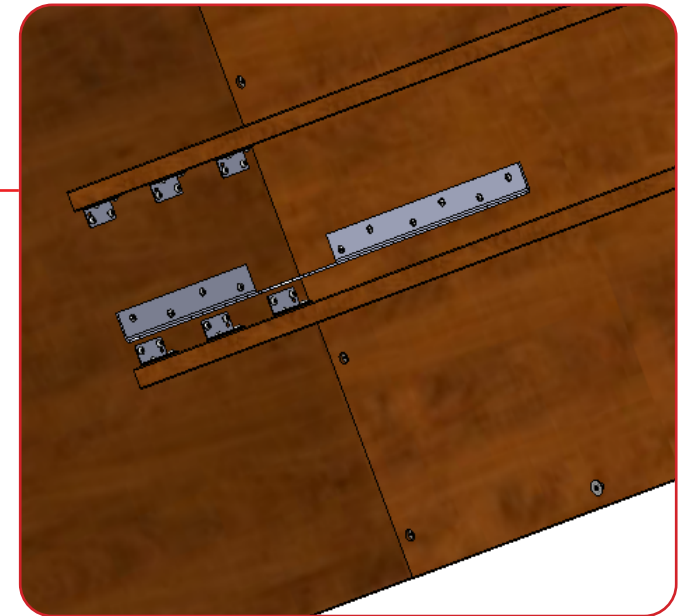
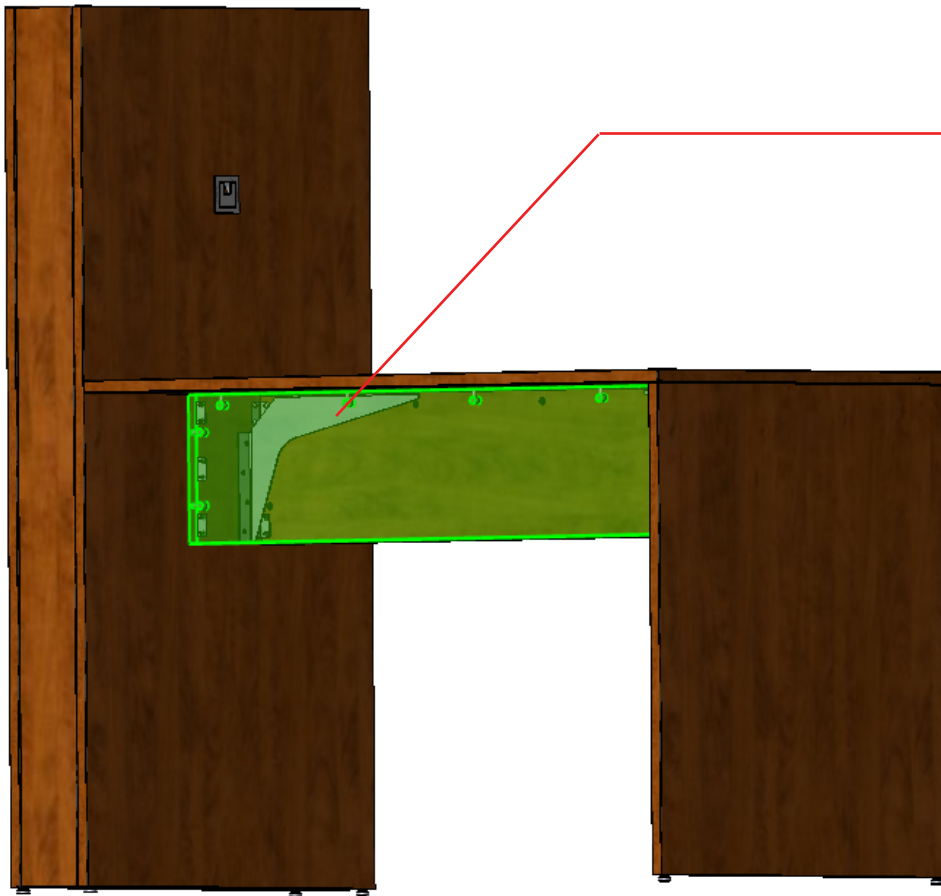
Attach the 12"x18" brace to the Media Cabinet with 5/8" wood screws.



L-BRACKET



12" X 18"
BRACE



Note: The green-shaded area represents a transparent view, allowing for better visibility of the internal components.

HARDWARE REQUIRED



5/8" WOOD
SCREW