

4

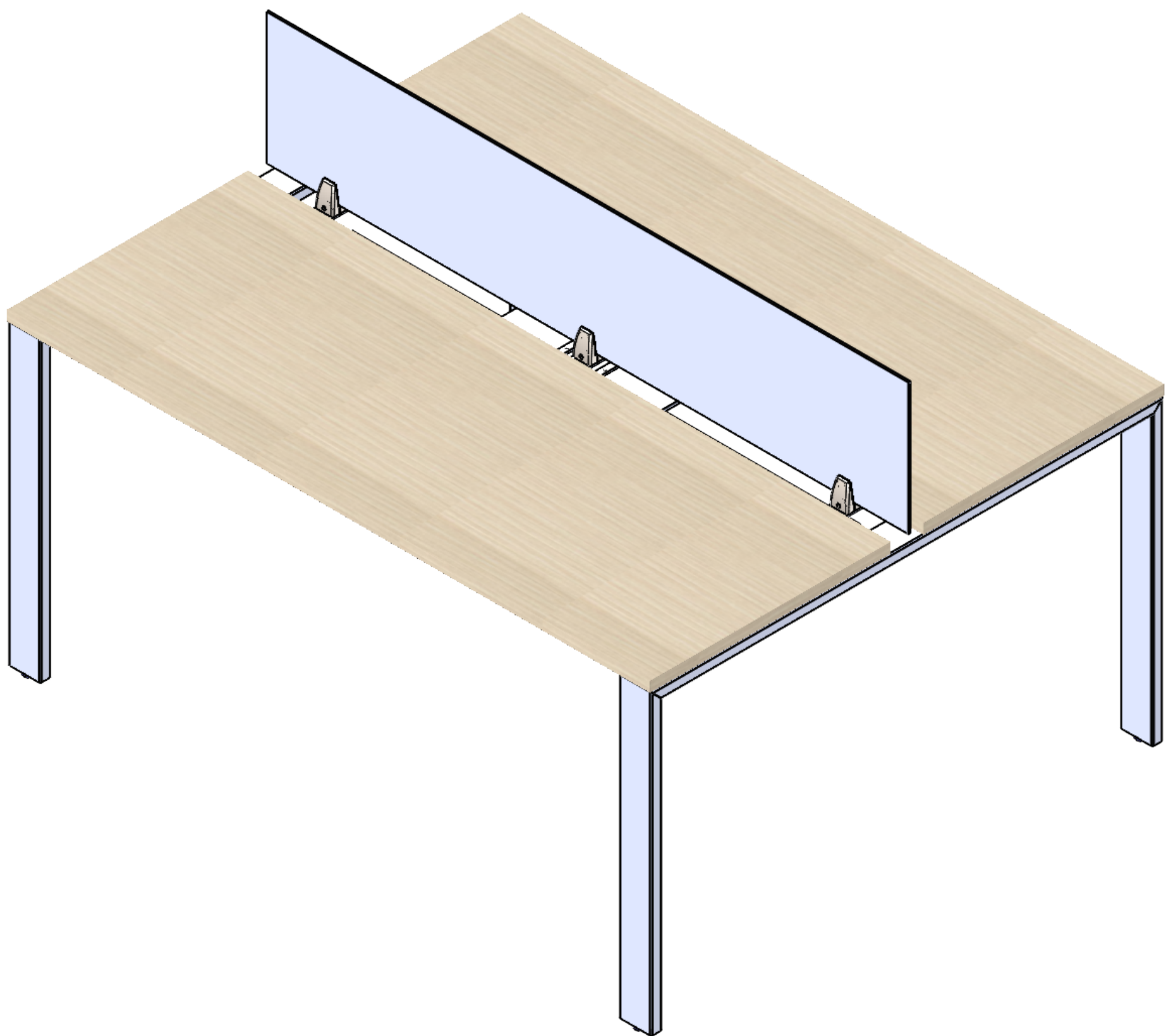
3

2

1

Glass / Acrylic Divider ZN-PODU ASSEMBLY INSTRUCTIONS

B



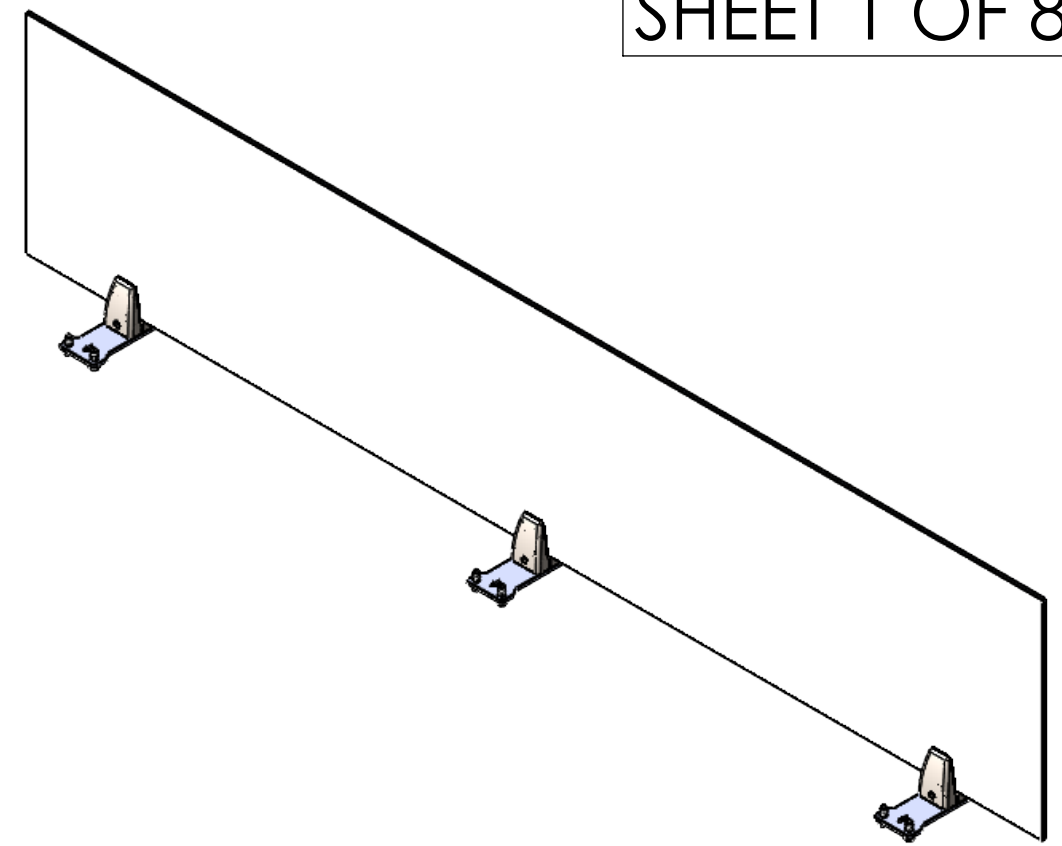
A

4

3

2

1



B

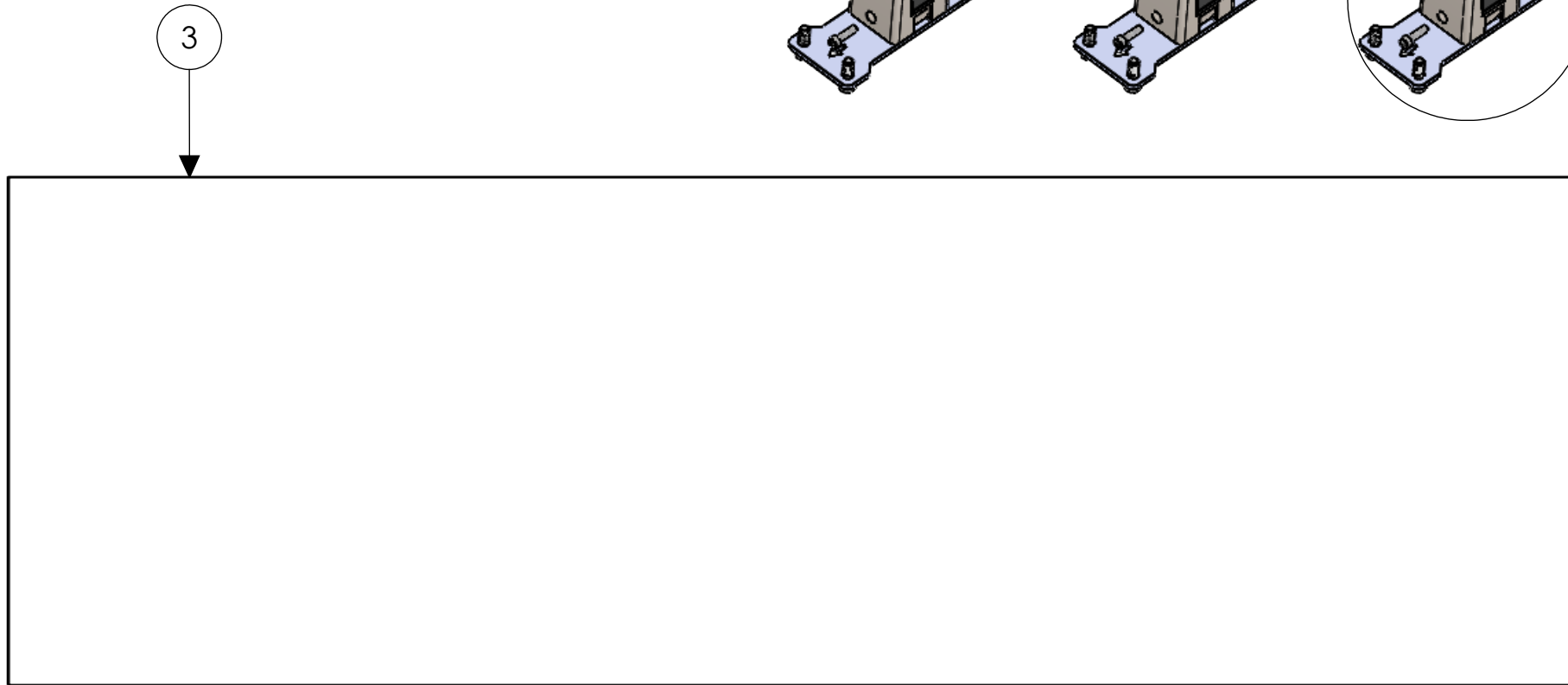
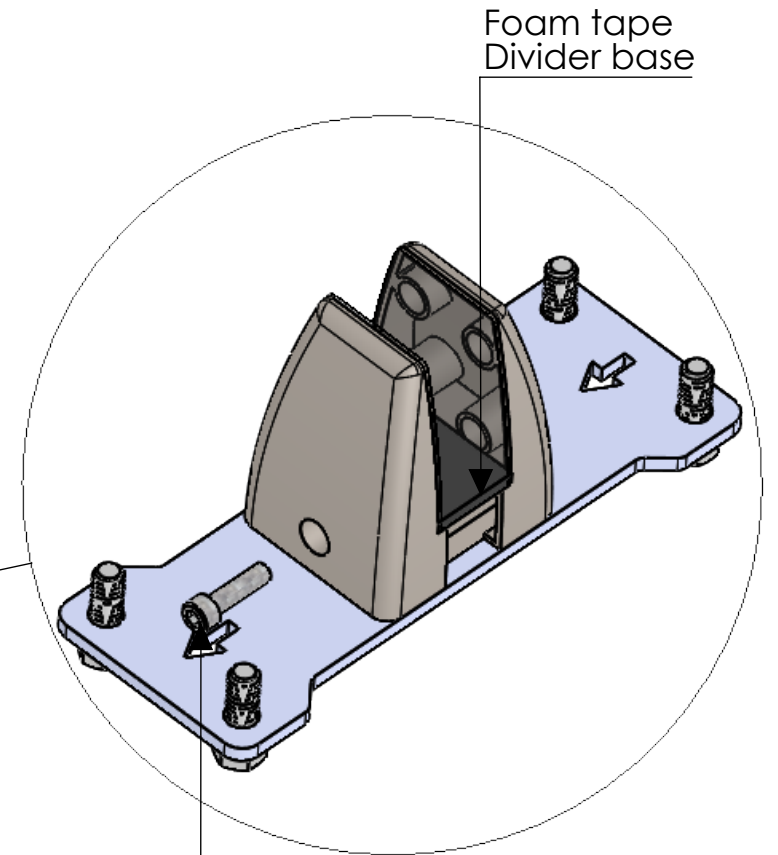
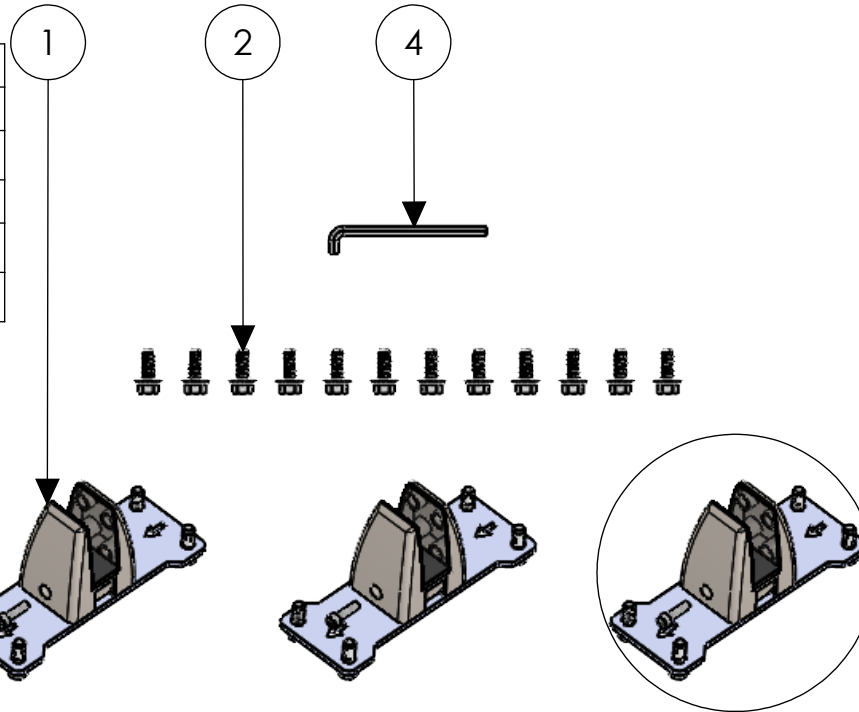
A

DRAWN	NAME	DATE	TITLE:	REV
	S P	04-16-25	ZN-PODU- Assembly Instructions & Troubleshooting	01
<p>OFGO STUDIO <small>THIS DOCUMENT IS THE PROPERTY OF OFGO STUDIO AND CONTAINS CONFIDENTIAL INFORMATION, THE CONTENTS OF THIS DOCUMENT ARE NOT TO BE REPRODUCED OR MODIFIED IN WHOLE OR IN PART WITHOUT WRITTEN AUTHORIZATION FROM OFGO STUDIO</small></p>				

Glass / Acrylic Divider ZN-PODU ASSEMBLY INSTRUCTIONS

PART LIST		
ITEM NO.	DESCRIPTION	QTY.
1	Mounting brackets with clip*	3
2	1/4-20 x 5/8" Bolt, Hex Head, Zinc	12
3	Acrylic / Glass Divider	1
4	#5 Hex Allen Key with 1/2 inch short leg	1

**42" to 48" wide dividers include 2 mounting brackets with clip*
***54" to 84" wide dividers include 3 mounting brackets with clip*

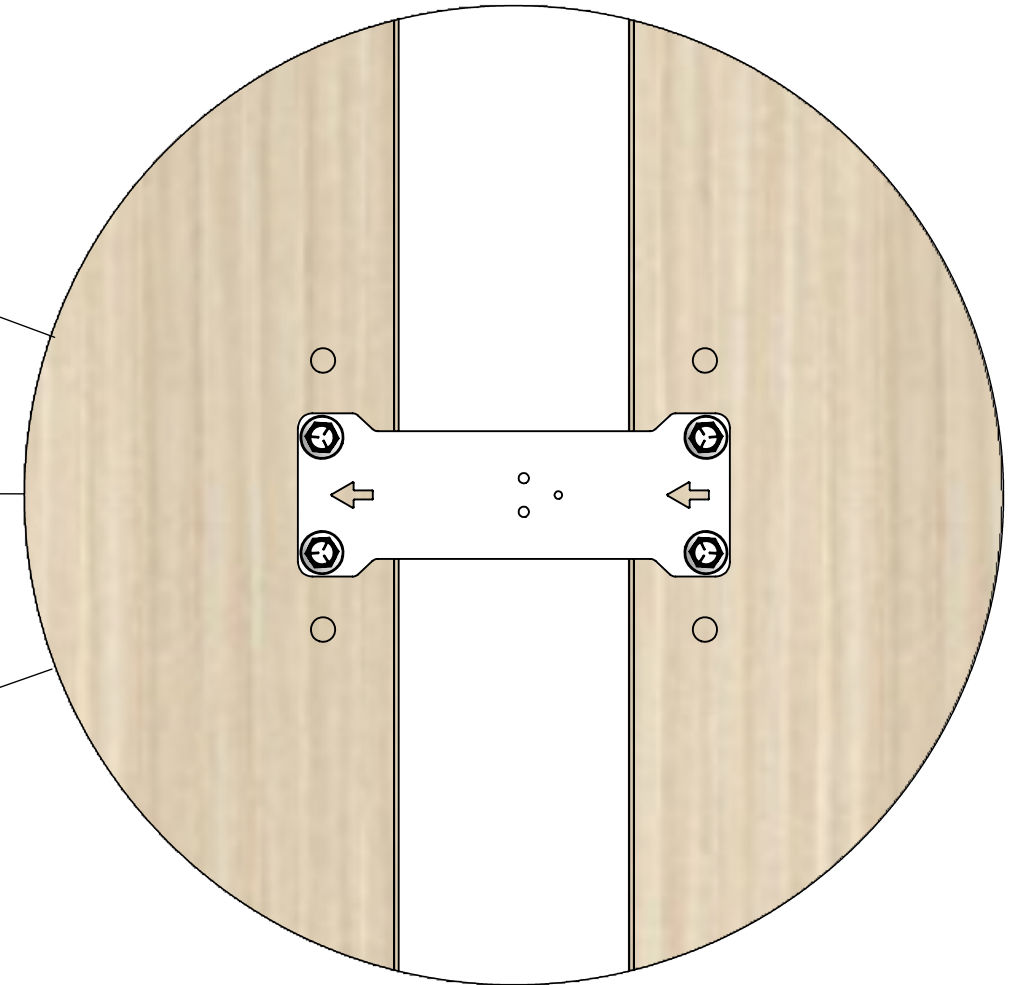
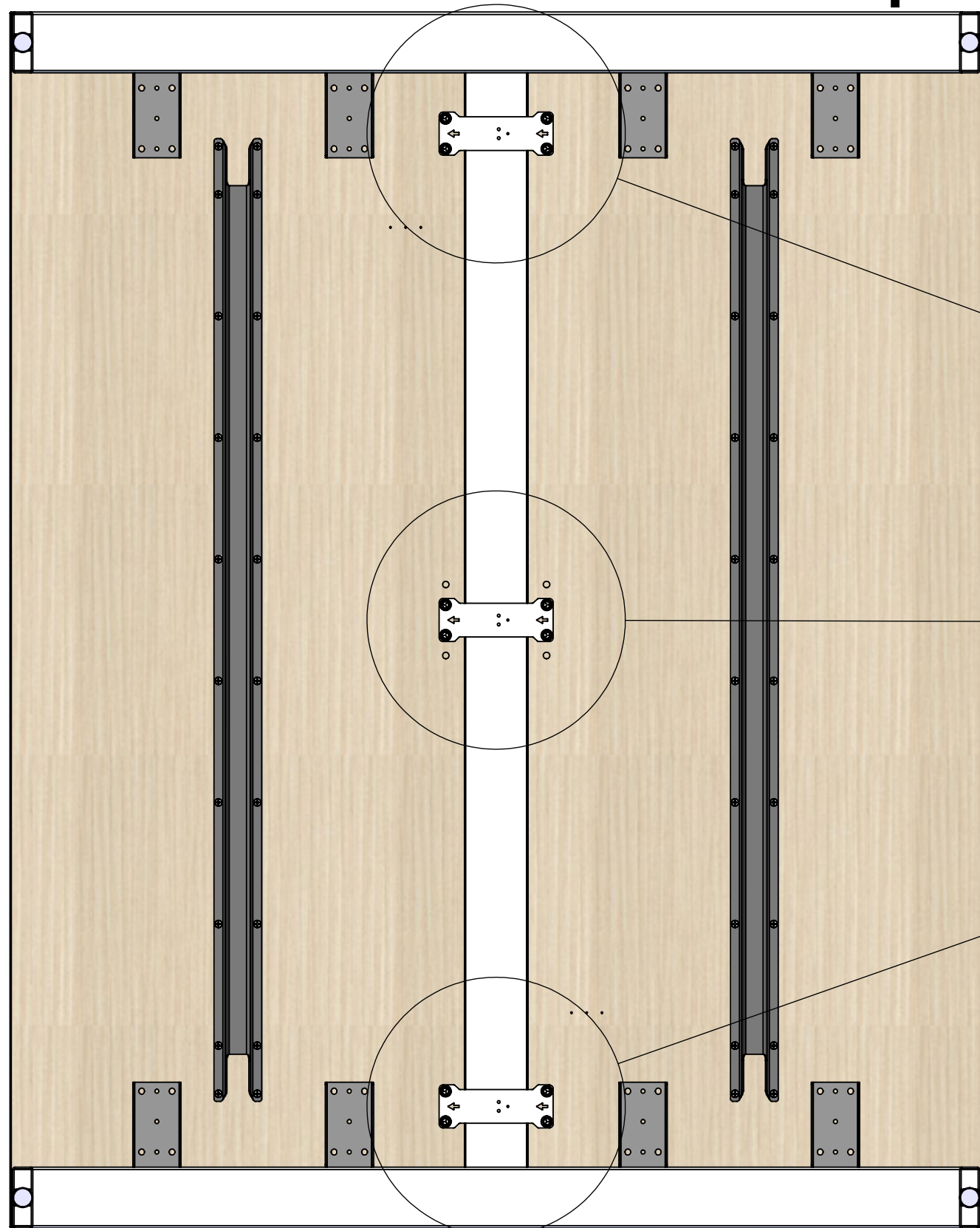


DRAWN	NAME S P	DATE 04-16-25	TITLE: ZN-PODU- Assembly Instructions & Troubleshooting
<small>THIS DOCUMENT IS THE PROPERTY OF OFGO STUDIO AND CONTAINS CONFIDENTIAL INFORMATION, THE CONTENTS OF THIS DOCUMENT ARE NOT TO BE REPRODUCED OR MODIFIED IN WHOLE OR IN PART WITHOUT WRITTEN AUTHORIZATION FROM OFGO STUDIO</small>			REV 01

ASSEMBLY INSTRUCTIONS

Step 1 - Mounting Brackets

[a] Make sure all the mounting brackets arrows point at the same direction.



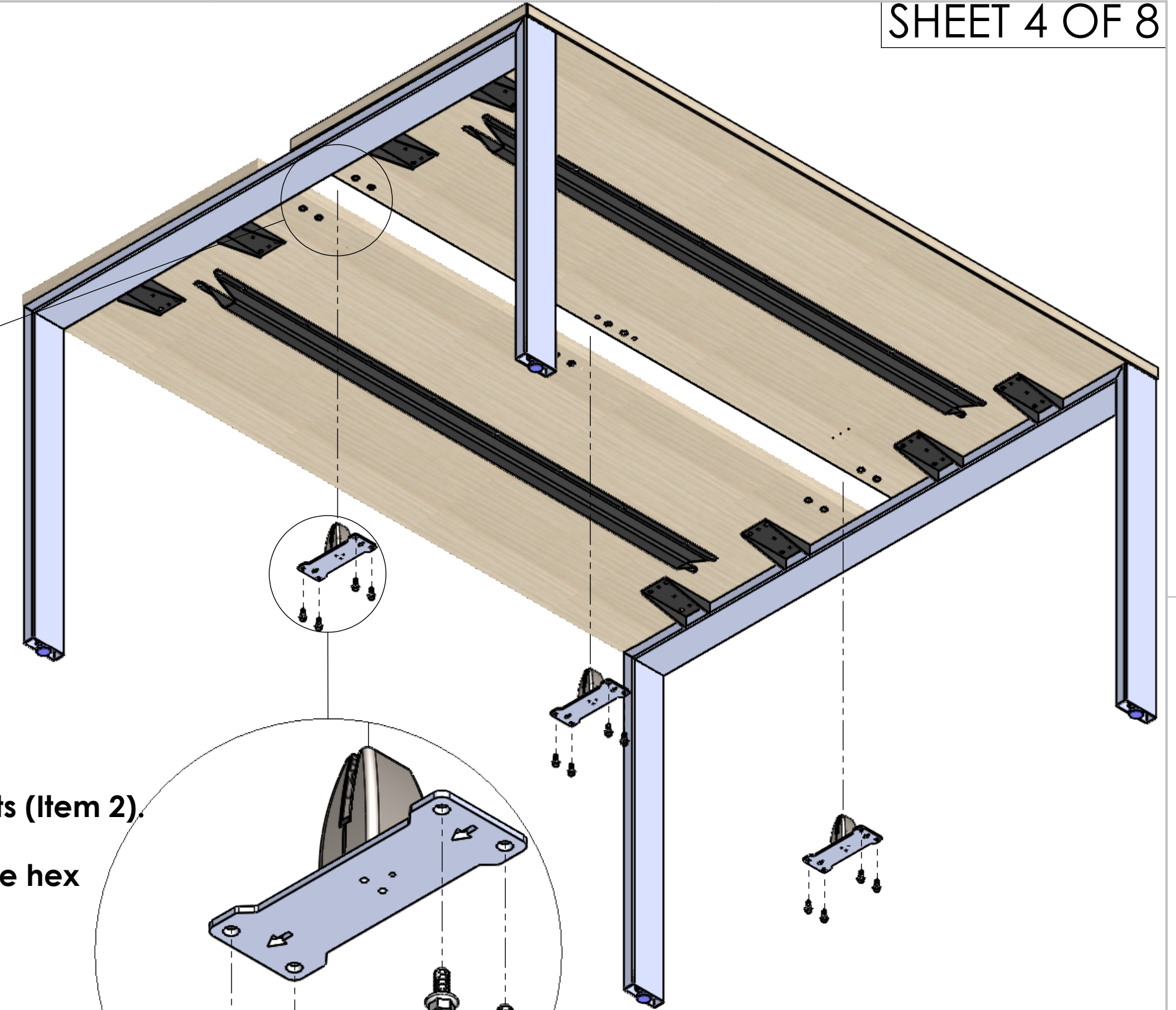
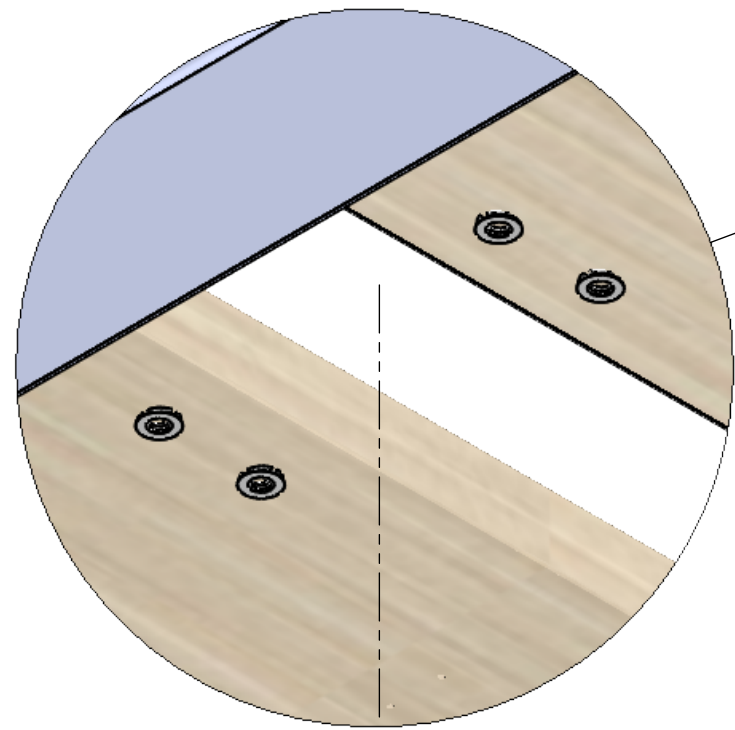
BOTTOM VIEW

DRAWN	NAME	DATE	TITLE:	REV
S P	S P	04-16-25	ZN-PODU- Assembly Instructions & Troubleshooting	01

OFGO STUDIO
THIS DOCUMENT IS THE PROPERTY OF OFGO STUDIO AND CONTAINS CONFIDENTIAL INFORMATION, THE CONTENTS OF THIS DOCUMENT ARE NOT TO BE REPRODUCED OR MODIFIED IN WHOLE OR IN PART WITHOUT WRITTEN AUTHORIZATION FROM OFGO STUDIO

ASSEMBLY INSTRUCTIONS

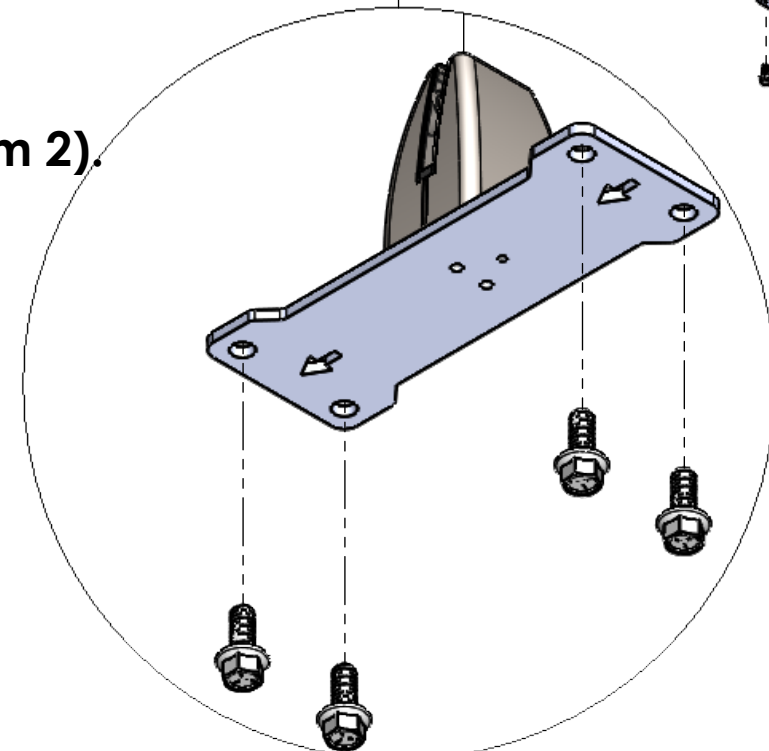
Step 2 - Mounting Brackets



[a] Locate mounting brackets (Item 1) & x4 hex bolts (Item 2).

[b] Attach mounting bracket under surface using the hex bolts as shown.

[c] Tighten bolts until snug.



DRAWN	NAME	DATE	TITLE: ZN-PODU- Assembly Instructions & Troubleshooting	REV 01
	S P	04-16-25		
			<small>THIS DOCUMENT IS THE PROPERTY OF OFGO STUDIO AND CONTAINS CONFIDENTIAL INFORMATION, THE CONTENTS OF THIS DOCUMENT ARE NOT TO BE REPRODUCED OR MODIFIED IN WHOLE OR IN PART WITHOUT WRITTEN AUTHORIZATION FROM OFGO STUDIO</small>	

ASSEMBLY INSTRUCTIONS

Install Divider

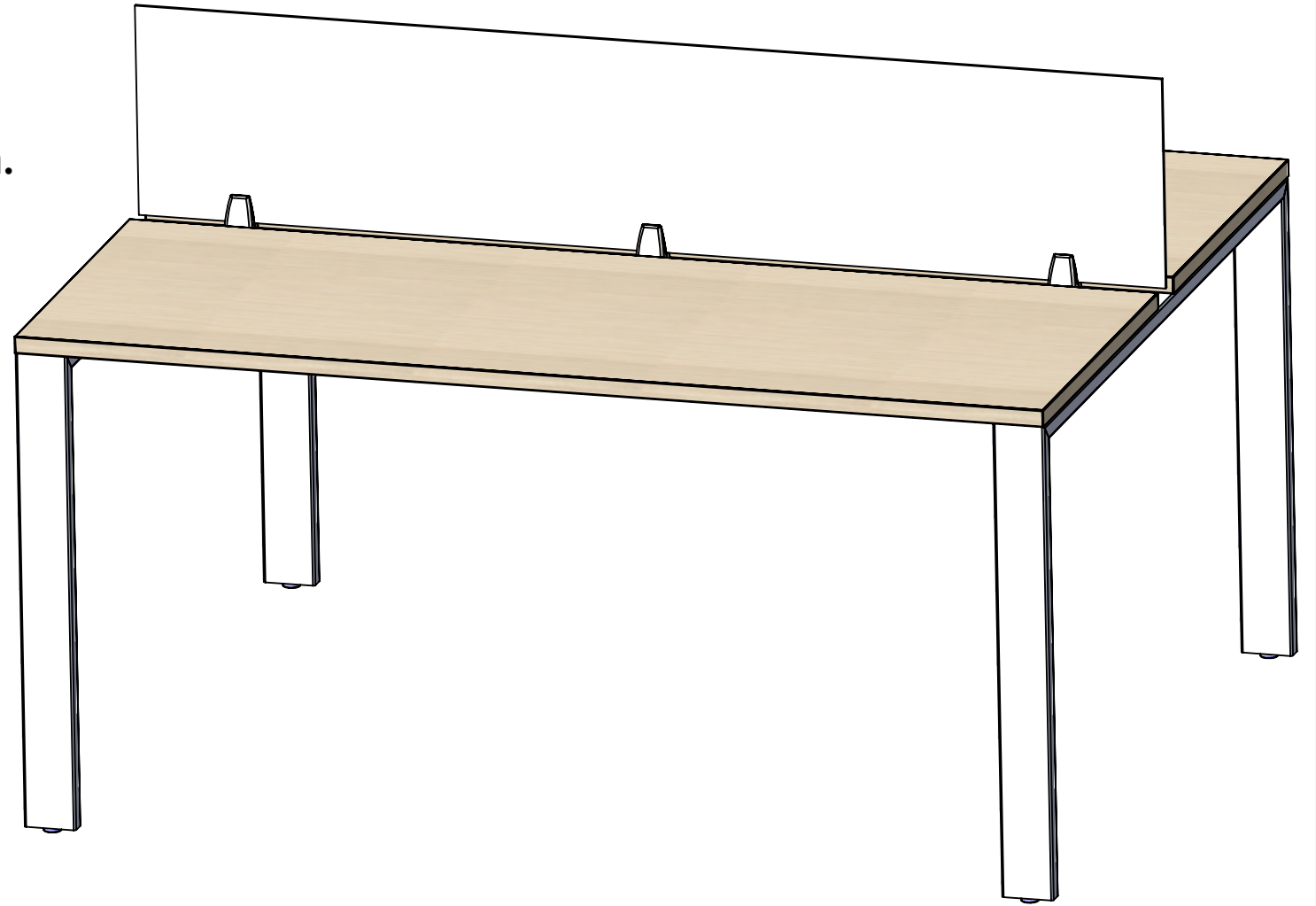
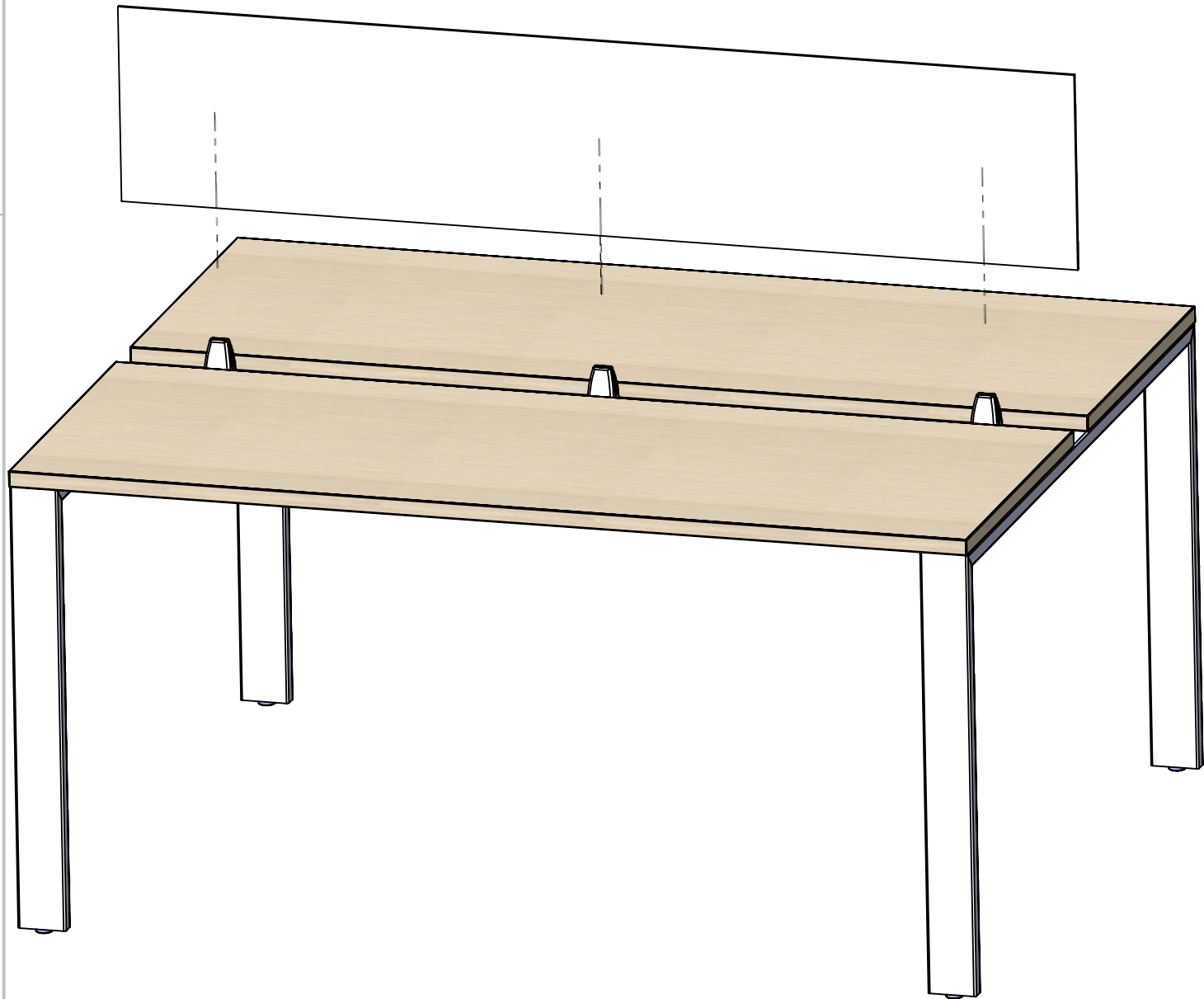
[a] Install divider in between all mounting brackets clips as shown.


B

B

A

A



	NAME	DATE	TITLE: ZN-PODU- Assembly Instructions & Troubleshooting	REV 01
DRAWN	S P	04-16-25		
				
<small>THIS DOCUMENT IS THE PROPERTY OF OFGO STUDIO AND CONTAINS CONFIDENTIAL INFORMATION, THE CONTENTS OF THIS DOCUMENT ARE NOT TO BE REPRODUCED OR MODIFIED IN WHOLE OR IN PART WITHOUT WRITTEN AUTHORIZATION FROM OFGO STUDIO</small>				

4

3

2

1

ASSEMBLY INSTRUCTIONS

Install divider

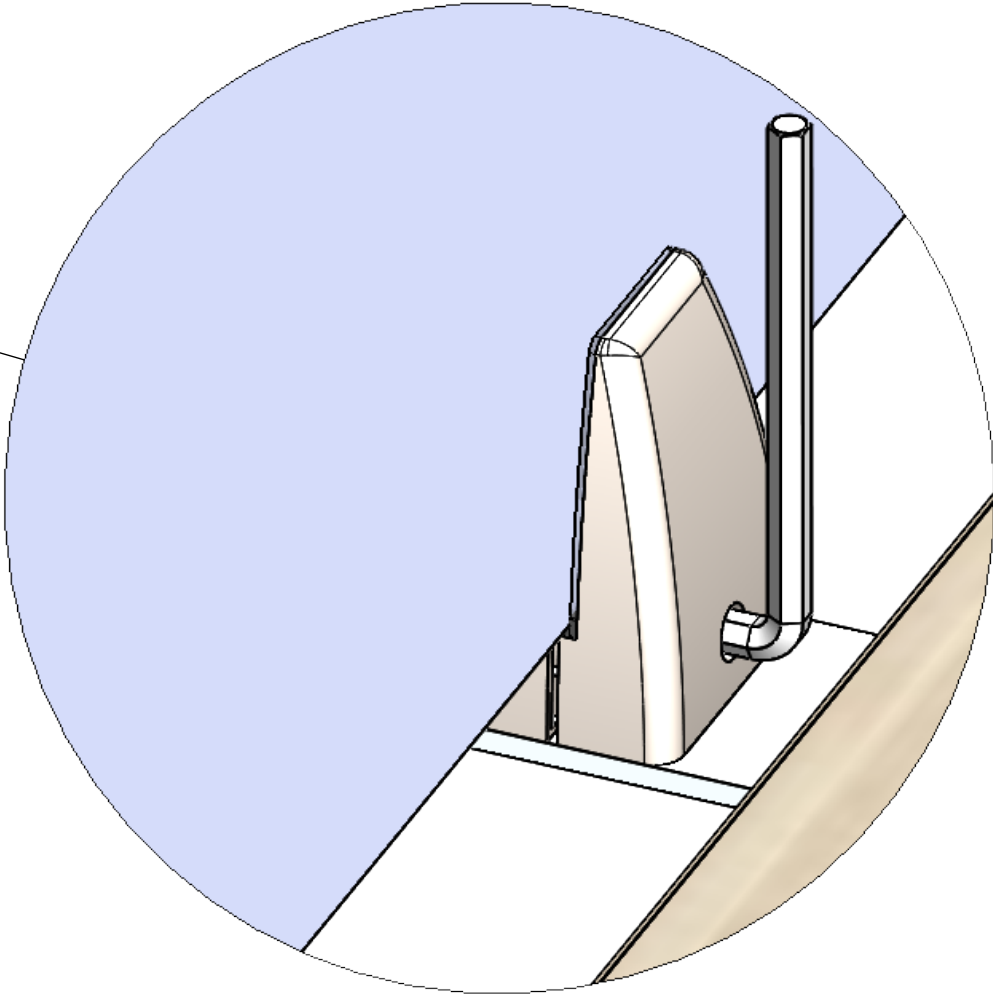
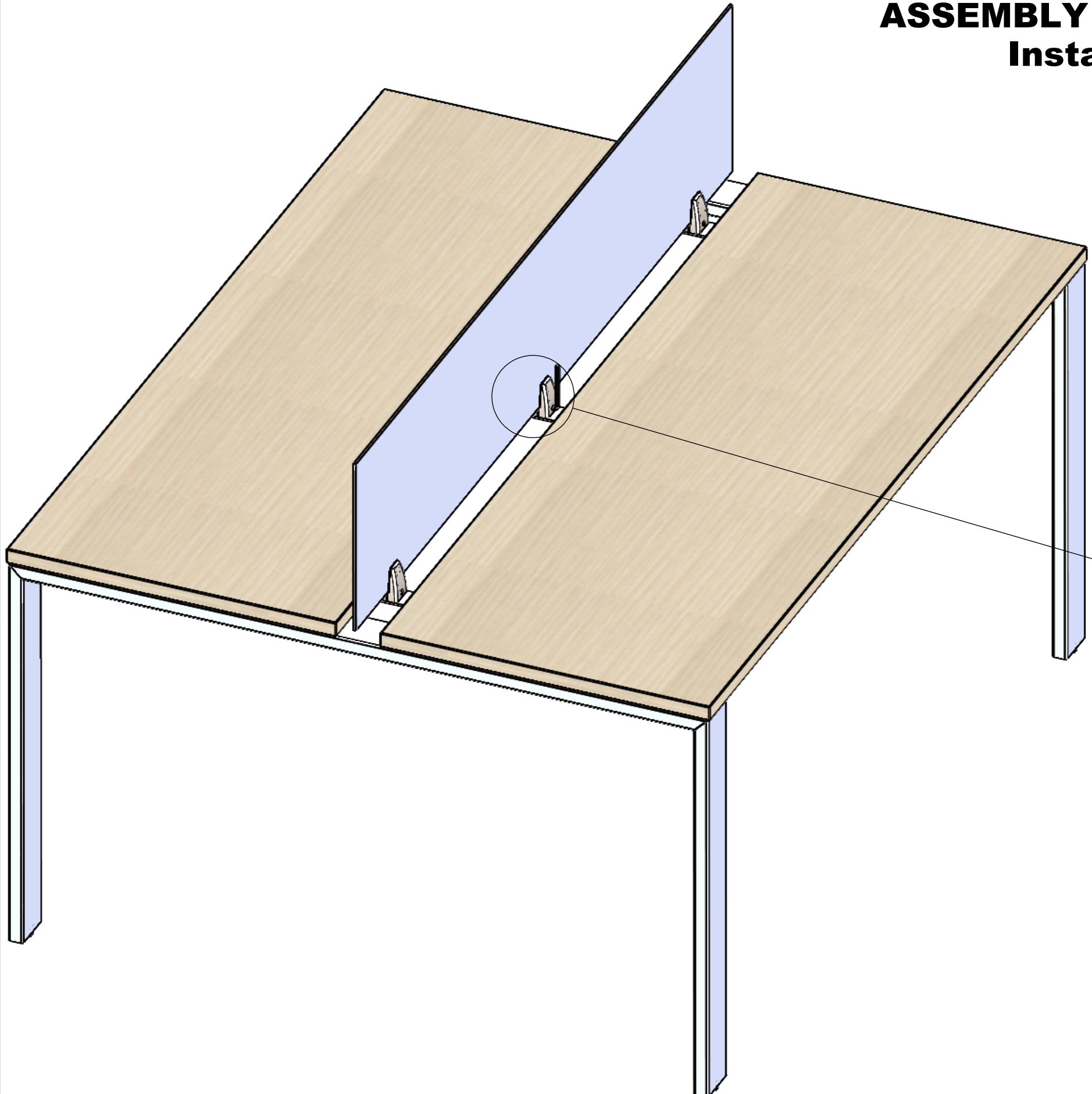
B

B

[a] Tighten mounting bracket clips using the #5 Hex Allen Key until snug.

A

A



4

3

2

1

DRAWN	NAME	DATE
S P		04-16-25

OFGO STUDIO
THIS DOCUMENT IS THE PROPERTY OF OFGO STUDIO AND CONTAINS CONFIDENTIAL INFORMATION, THE CONTENTS OF THIS DOCUMENT ARE NOT TO BE REPRODUCED OR MODIFIED IN WHOLE OR IN PART WITHOUT WRITTEN AUTHORIZATION FROM OFGO STUDIO

TITLE:
 ZN-PODU- Assembly Instructions & Troubleshooting

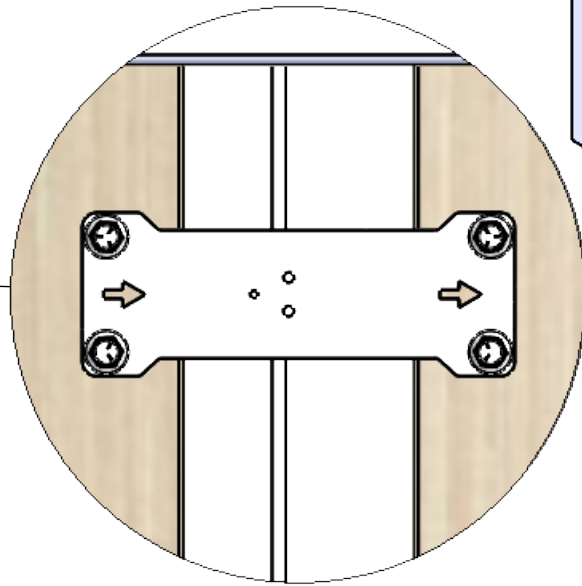
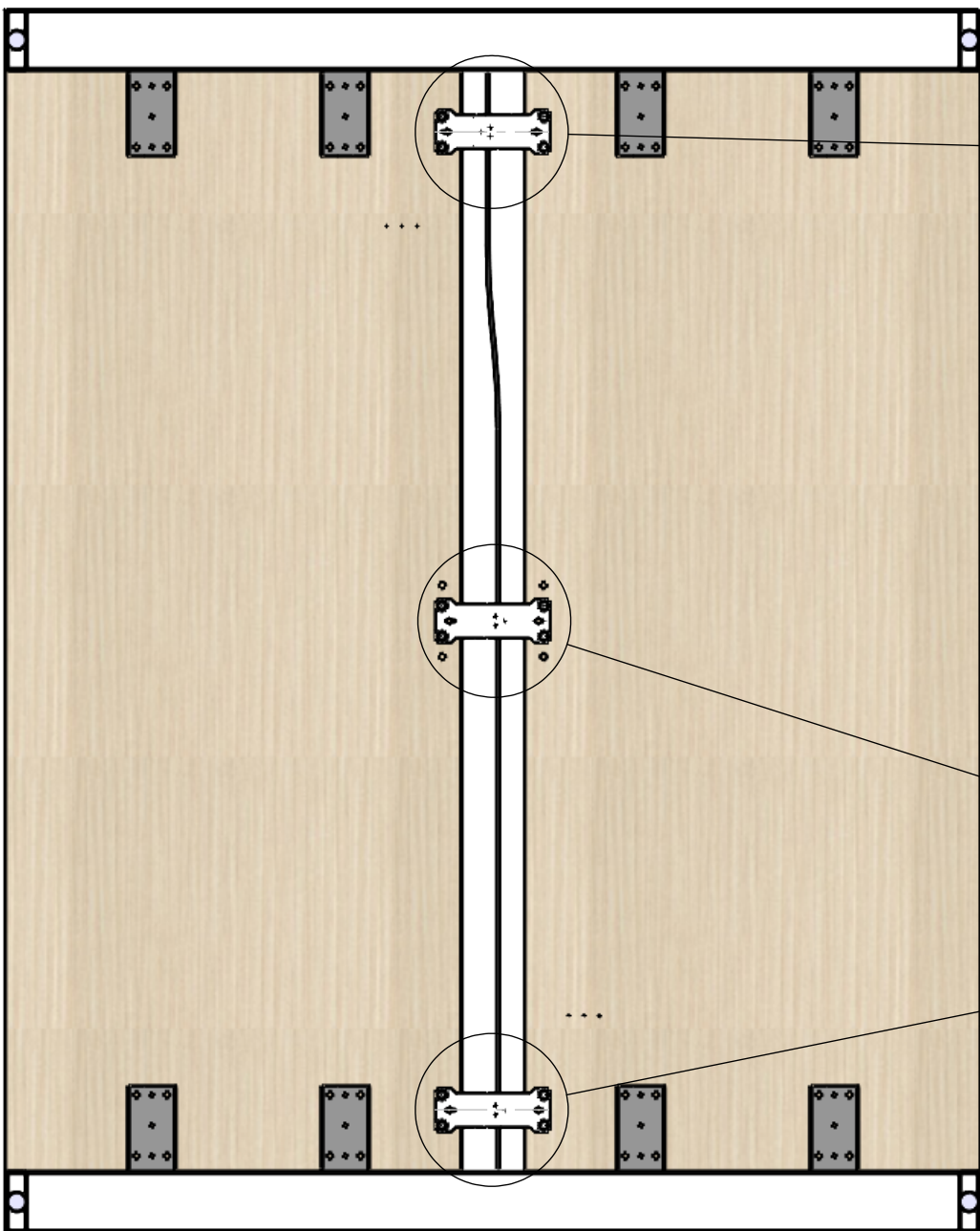
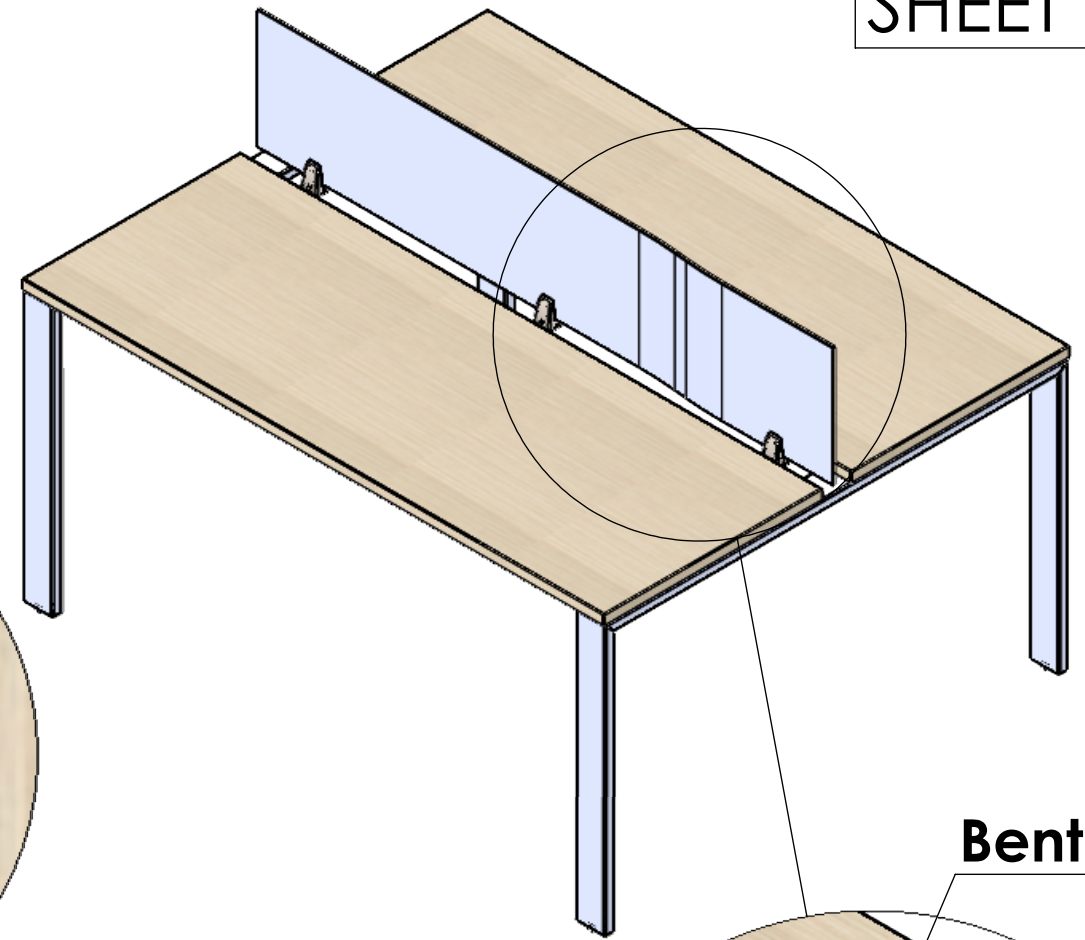
REV 01

Troubleshooting Case 1

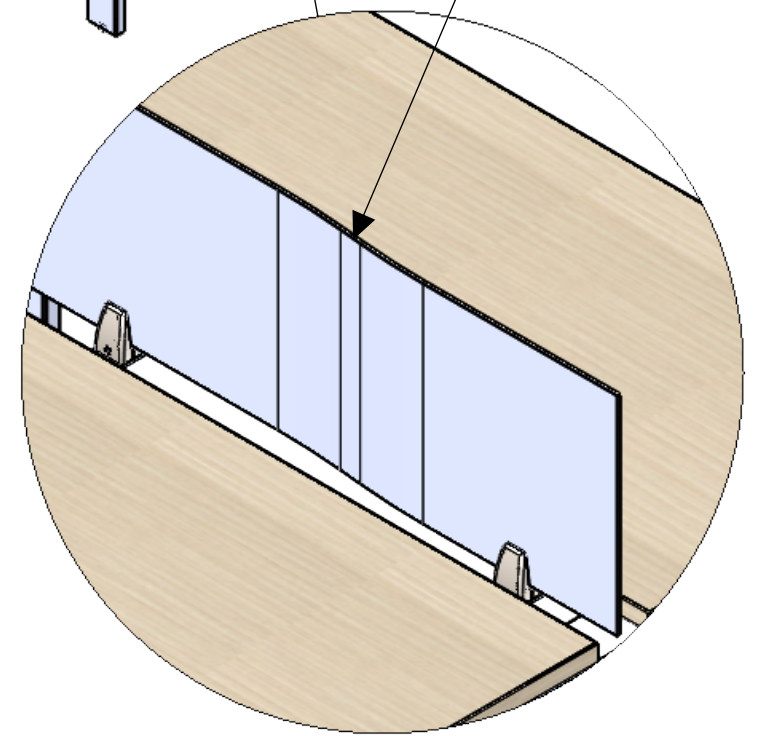
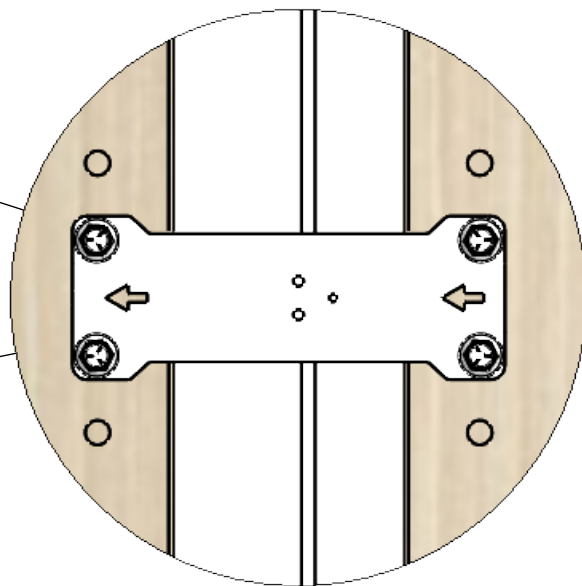
Mounting Brackets wrong direction

[a] Incorrectly mounting the bracket clips in the opposite direction, as illustrated below, will cause the acrylic divider to bend.

[b] Glass divider will not be able to be installed.



Arrows in different directions



DRAWN	NAME	DATE
S P		04-16-25

OFGO STUDIO
THIS DOCUMENT IS THE PROPERTY OF OFGO STUDIO AND CONTAINS CONFIDENTIAL INFORMATION, THE CONTENTS OF THIS DOCUMENT ARE NOT TO BE REPRODUCED OR MODIFIED IN WHOLE OR IN PART WITHOUT WRITTEN AUTHORIZATION FROM OFGO STUDIO

TITLE:
 ZN-PODU- Assembly Instructions & Troubleshooting

REV 01

4

3

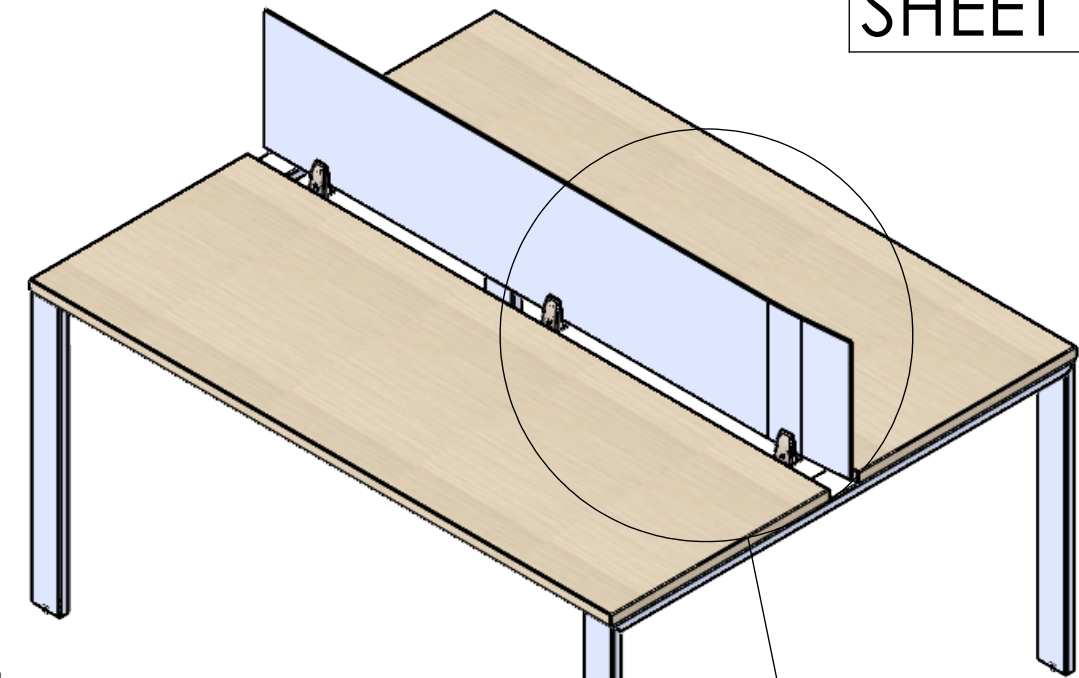
2

1

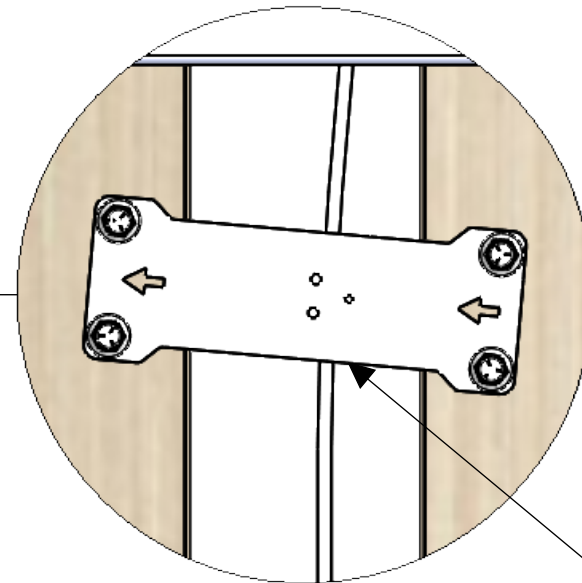
Troubleshooting Case 2 Misaligned Mounting Bracket

[a] Incorrectly mounting the bracket clips with angle, as illustrated below, will cause the acrylic divider to bend.

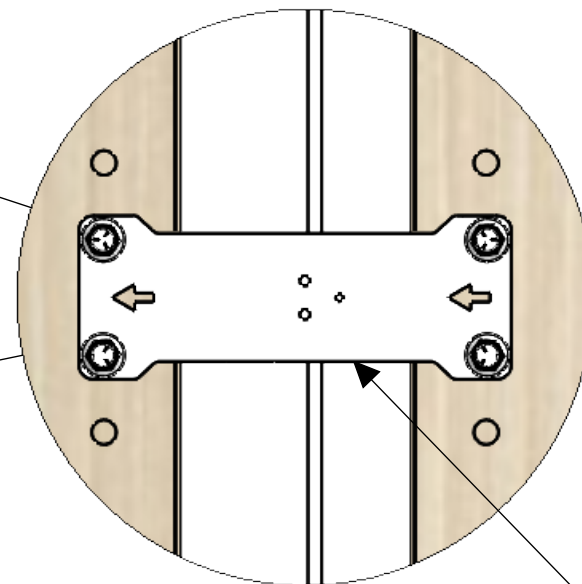
[b] Glass divider will not be able to be installed.



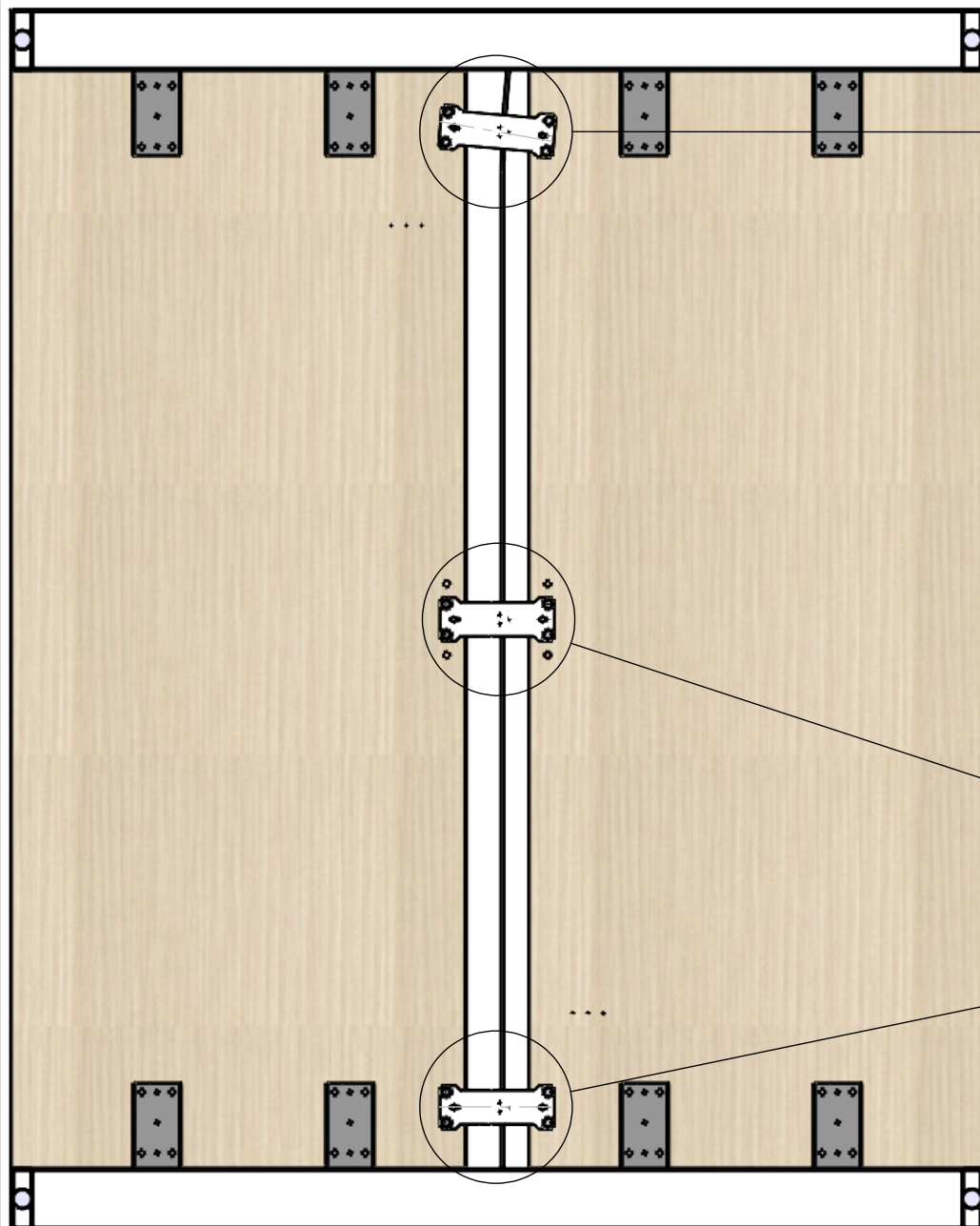
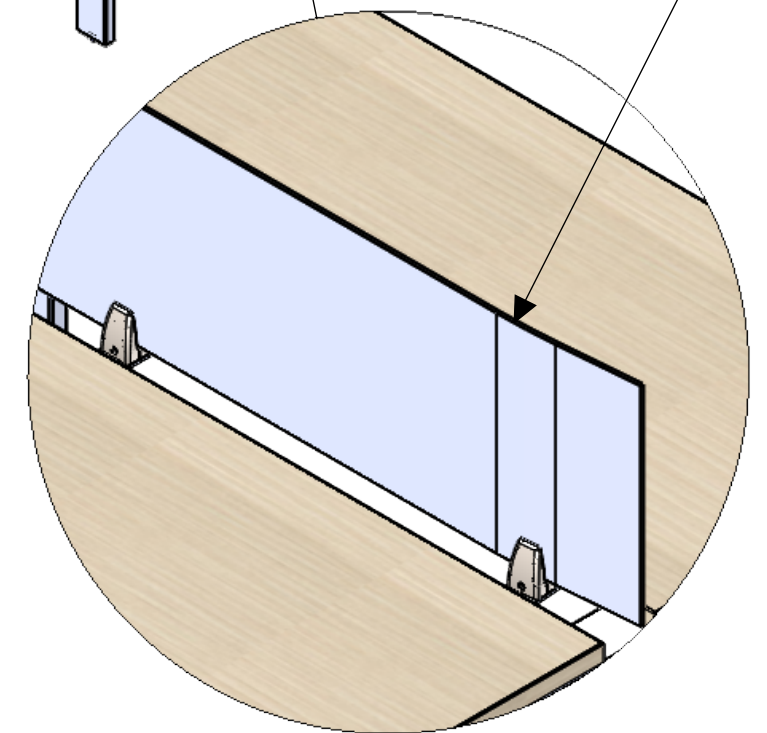
Bent Divider




Mounting bracket shown with an exaggerated angle



Correct plate position



DRAWN	NAME S P	DATE 04-16-25	TITLE: ZN-PODU- Assembly Instructions & Troubleshooting	REV 01
 <p>THIS DOCUMENT IS THE PROPERTY OF OFGO STUDIO AND CONTAINS CONFIDENTIAL INFORMATION. THE CONTENTS OF THIS DOCUMENT ARE NOT TO BE REPRODUCED OR MODIFIED IN WHOLE OR IN PART WITHOUT WRITTEN AUTHORIZATION FROM OFGO STUDIO</p>				

4

3

2

1