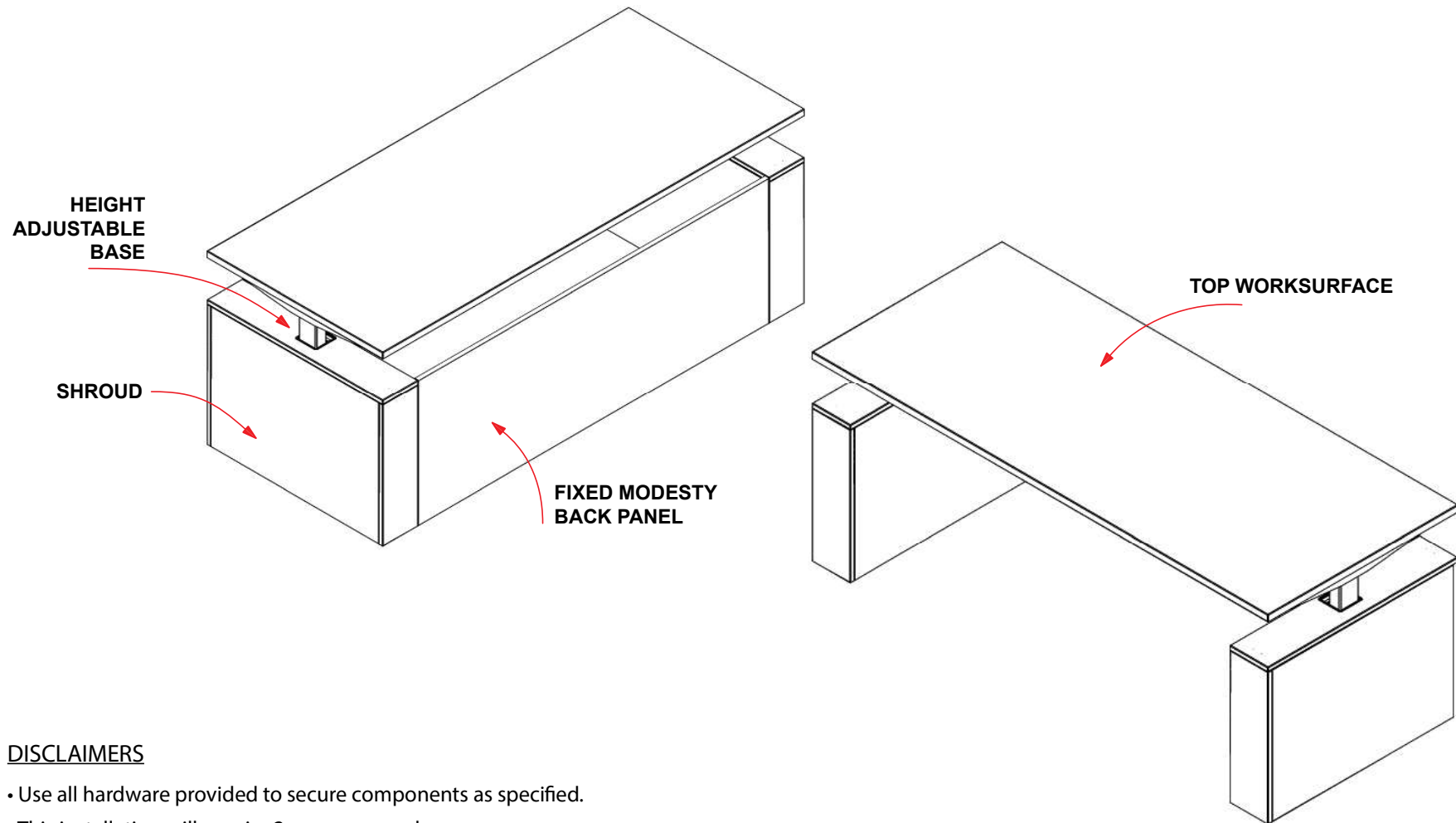


**COMPONENT BREAKDOWN:**



**DISCLAIMERS**

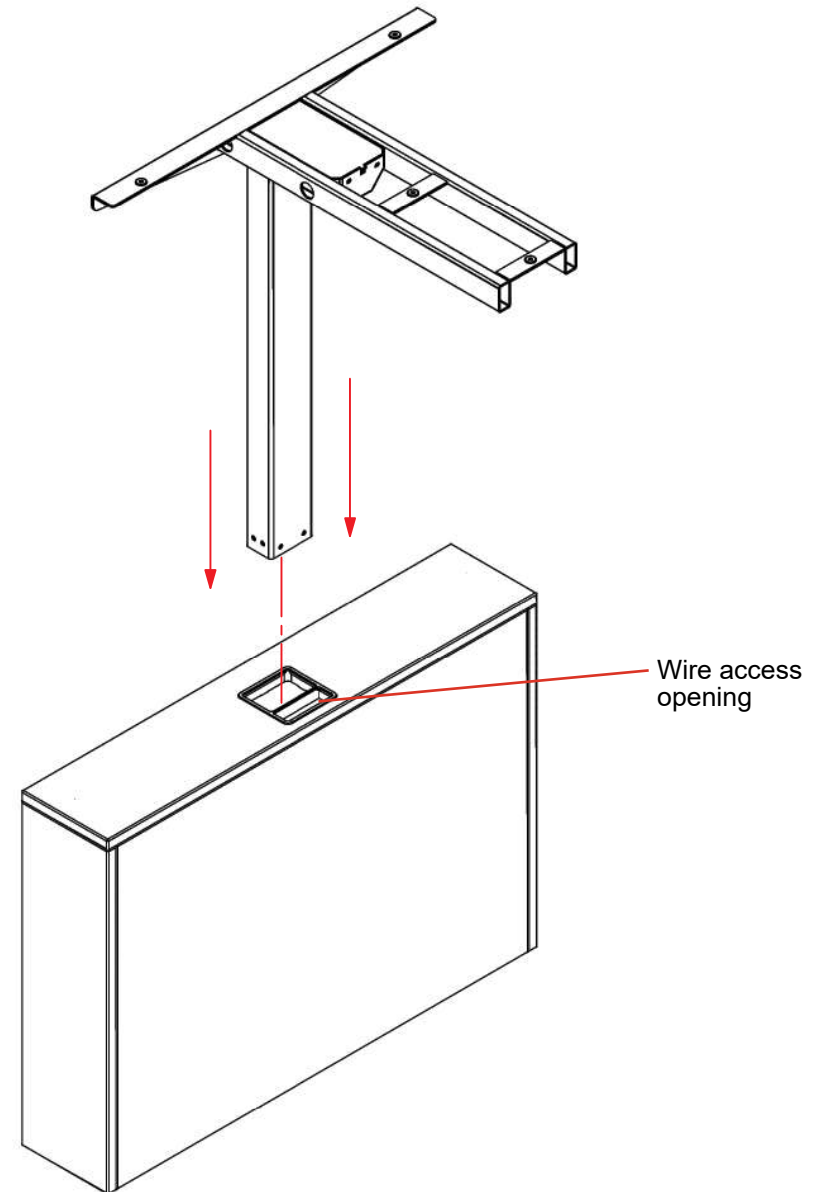
- Use all hardware provided to secure components as specified.
- This installation will require 2 or more people.
- Read all instructions and review all illustrations before installing. Failure to observe these warnings could result in injury.
- Product that is damaged by the end user due to misuse, accident, abuse, negligence or shipping is not covered under warranty.

**STEP ONE:**

Place the assembled laminate shroud with the plastic grommet facing upwards.

Take the adjustable base column and position it over the shroud box, aligning the base column with the grommet hole.

Note: The grommet has a wire access opening on one side. This wire access opening should face inward during installation.

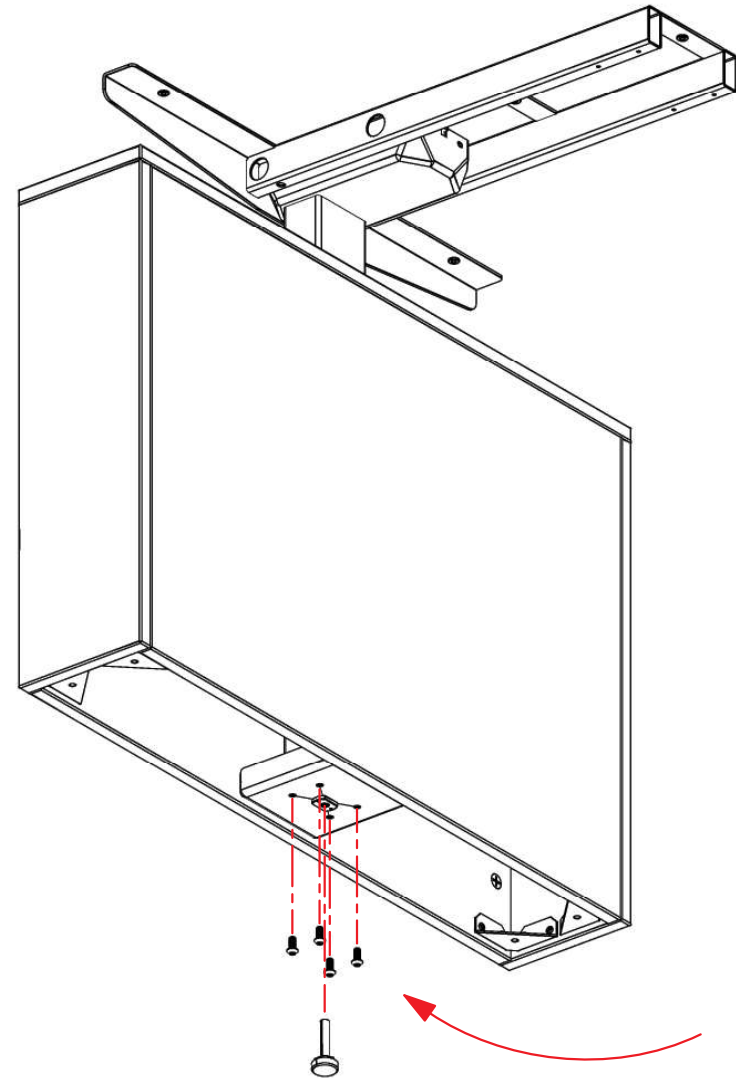


**STEP TWO:**

Place the shroud on a soft, clean, scratch-resistant surface.

Attach the height adjustable base column to the metal plate located on the inside bottom of the laminate shroud and attach using the hardware included with the height adjustable table frame.

Make sure there is one floor leveler placed into the metal bracket near the center of the shroud.

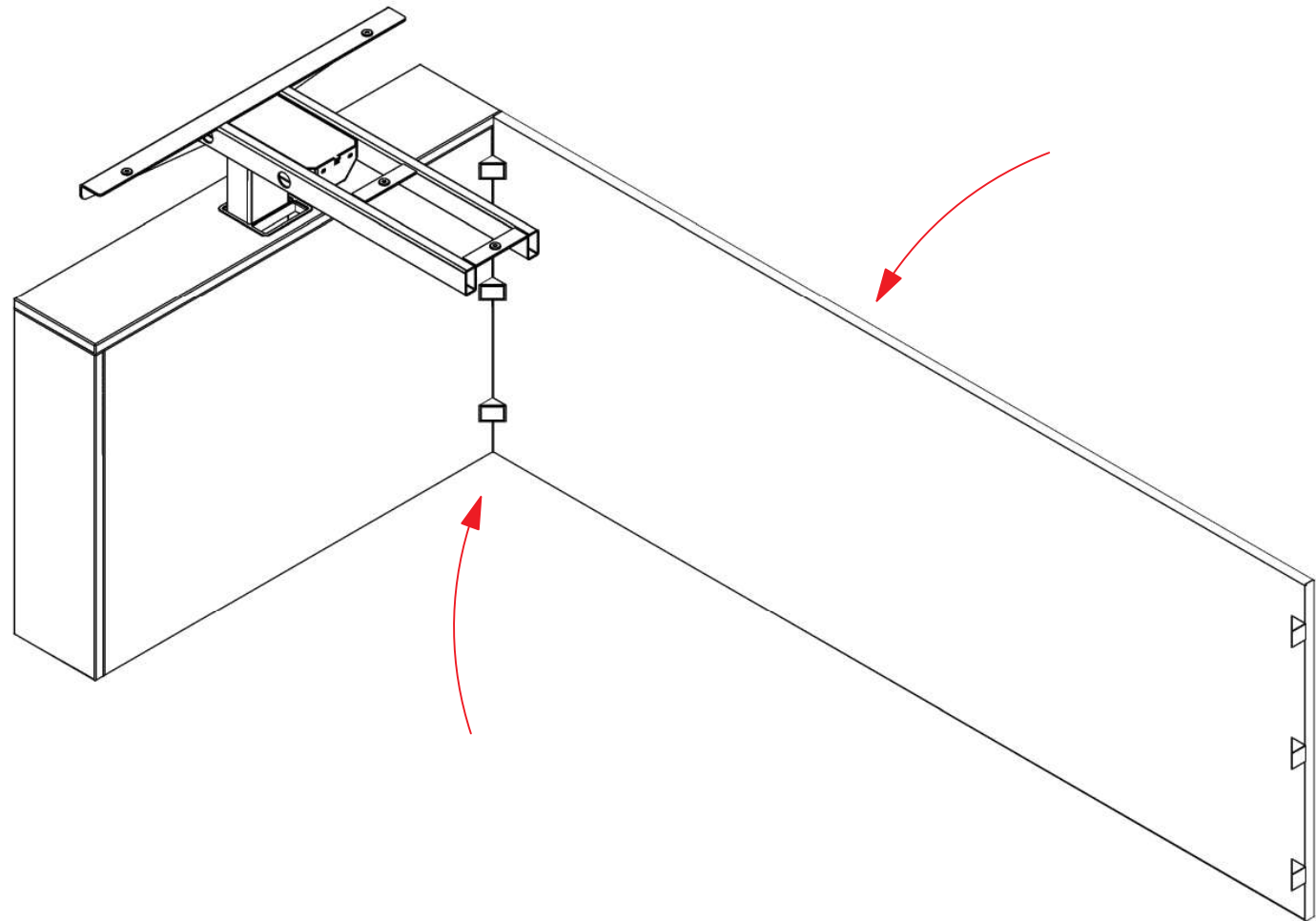


**STEP THREE: (ONLY REQUIRED IF ATTACHING A FIXED BACK PANEL BETWEEN TWO SHROUD BASES)**

Attach the back panel into its designated position.

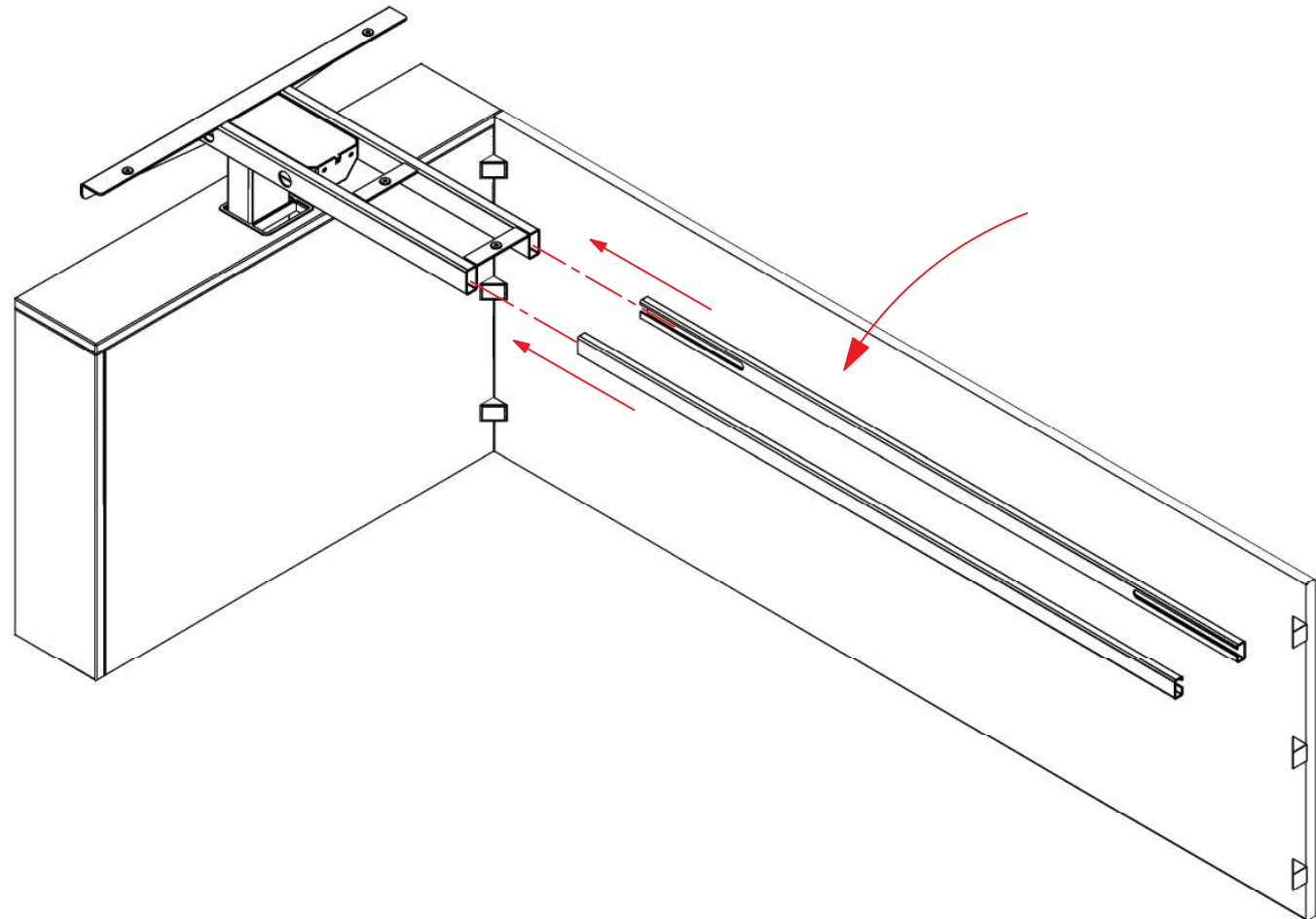
Note: The back panel can be installed flush or recessed on site.

To install the back panel, use the black plastic L-Brackets and 5/8" wood screws provided.



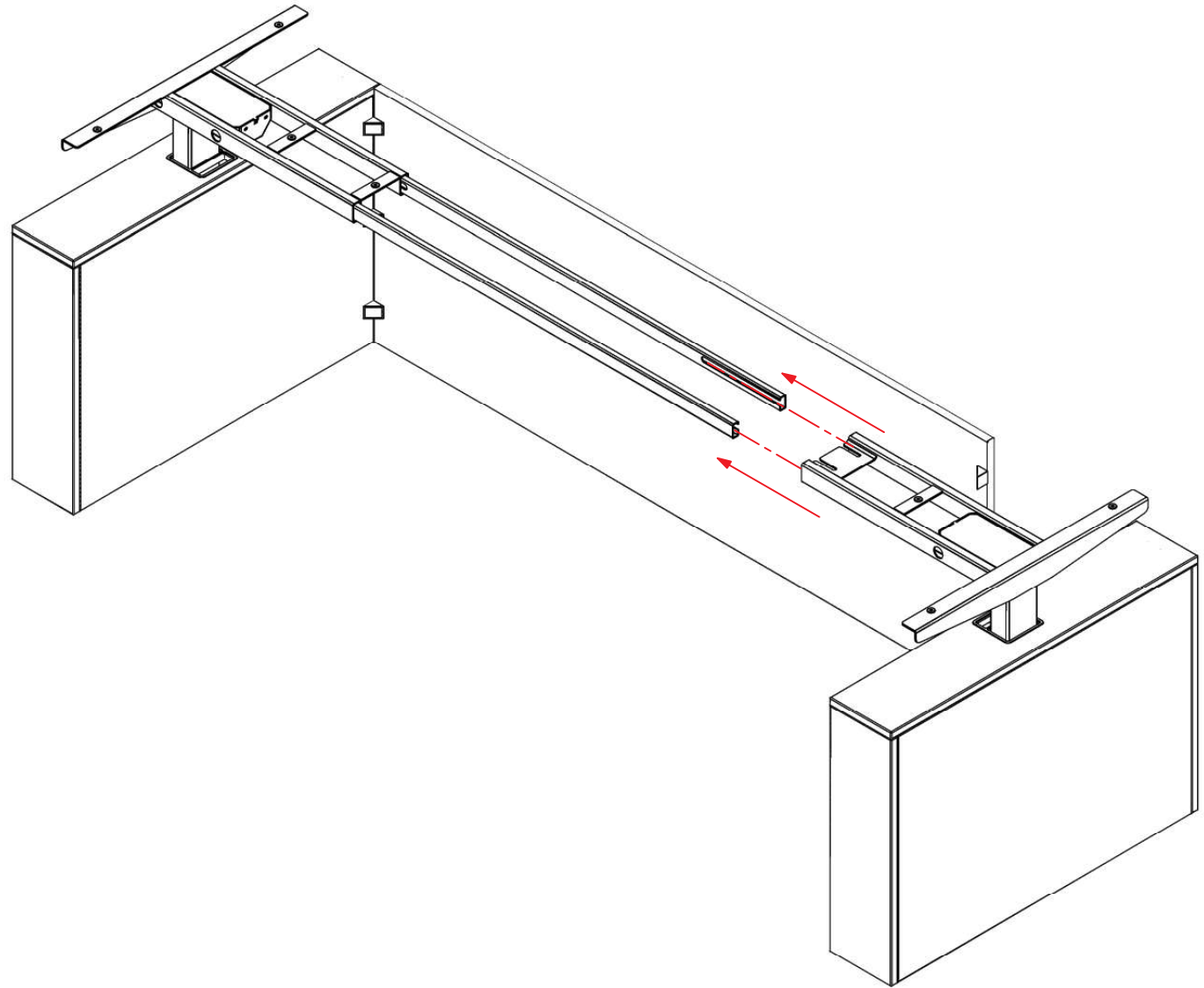
**STEP FOUR:**

Insert the center support beams into the height adjustable base frame.



**STEP FIVE:**

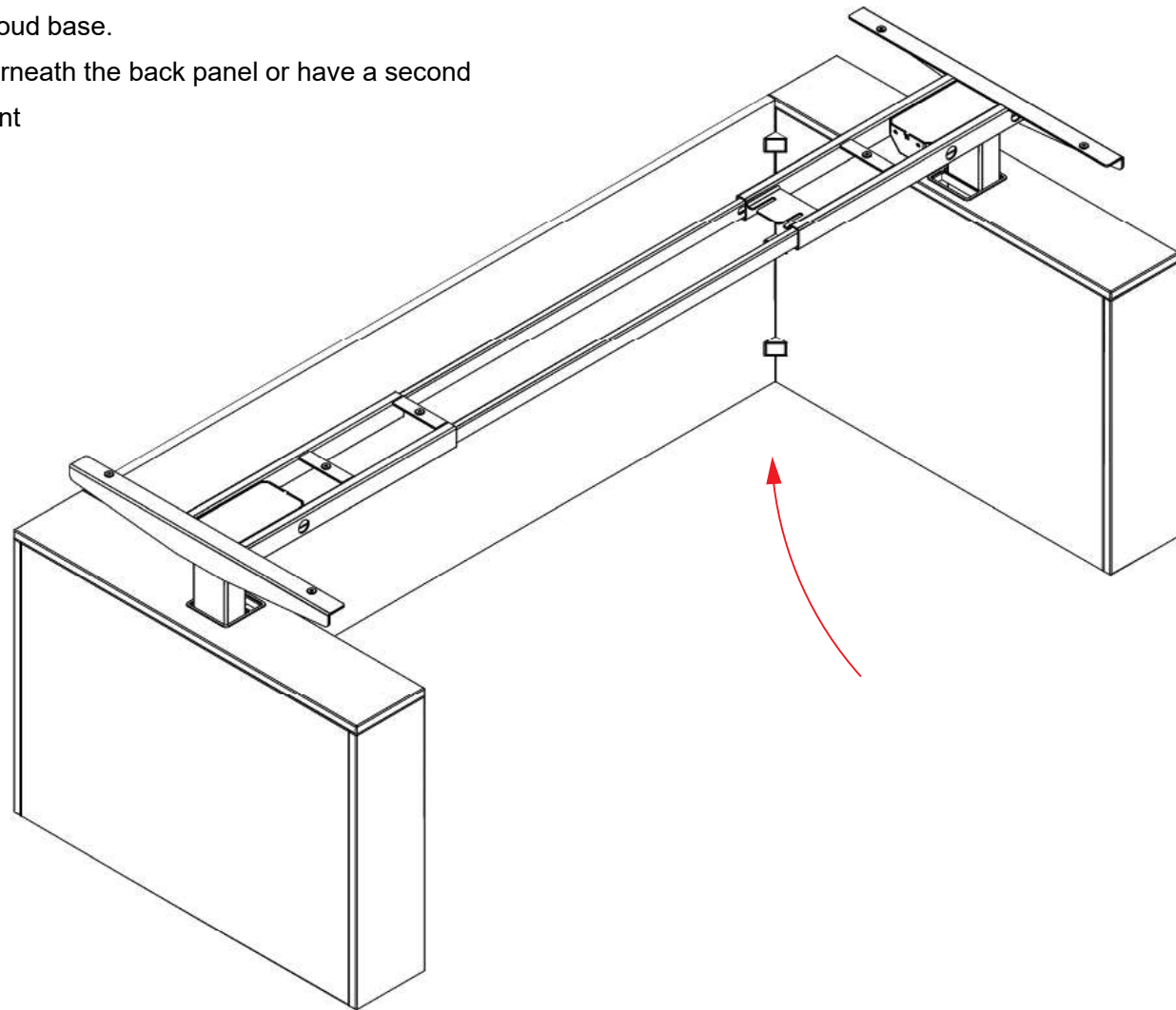
Align the second shroud base column into the center support beams.



**STEP SIX: (ONLY REQUIRED IF ATTACHING A FIXED BACK PANEL BETWEEN TWO SHROUD BASES)**

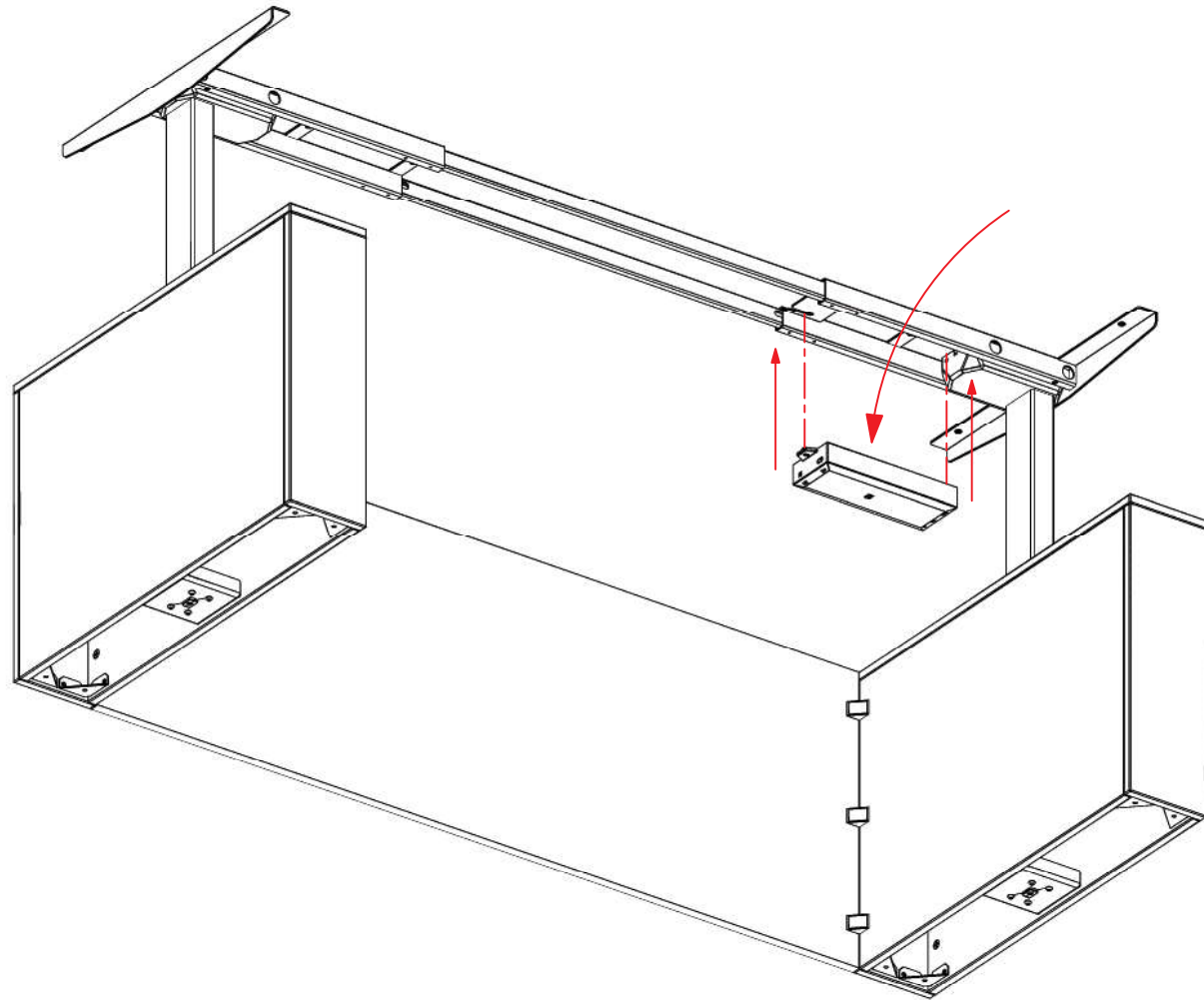
Attach the back panel to the second shroud base.

Note: You may need to add a shim underneath the back panel or have a second installer assist to ensure proper alignment



**STEP SEVEN:**

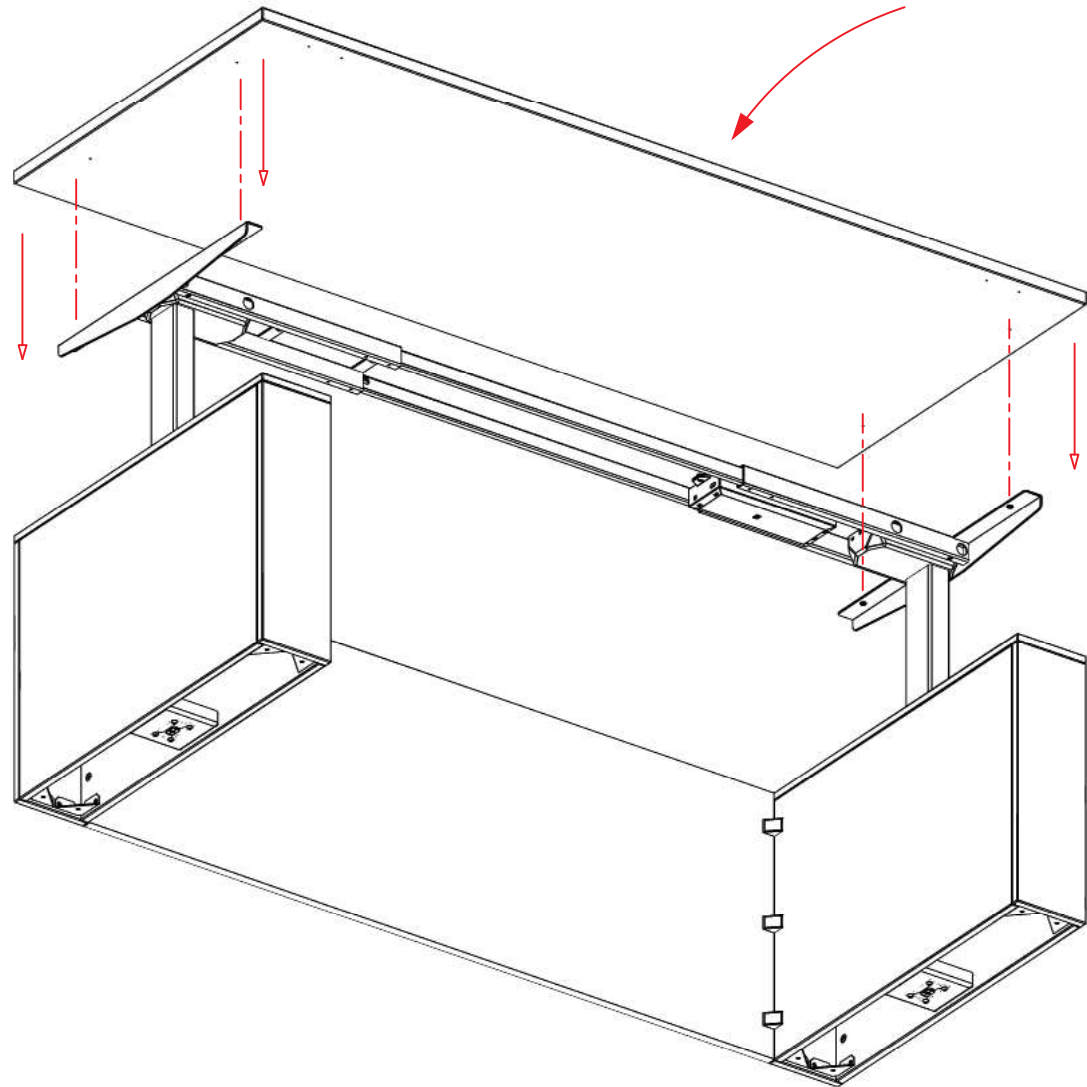
Install the control box, patch cables and plug needed to power up the height adjustable base.



**STEP EIGHT:**

Raise height adjustable unit upward and position the worksurface onto the height adjustable support frame. Secure in place using the wood screws provided.

Attach the height adjustable base handset in your desired position.



**STEP NINE:**

Test height adjustable unit for proper functionality. The completed assembly will look like the below:

