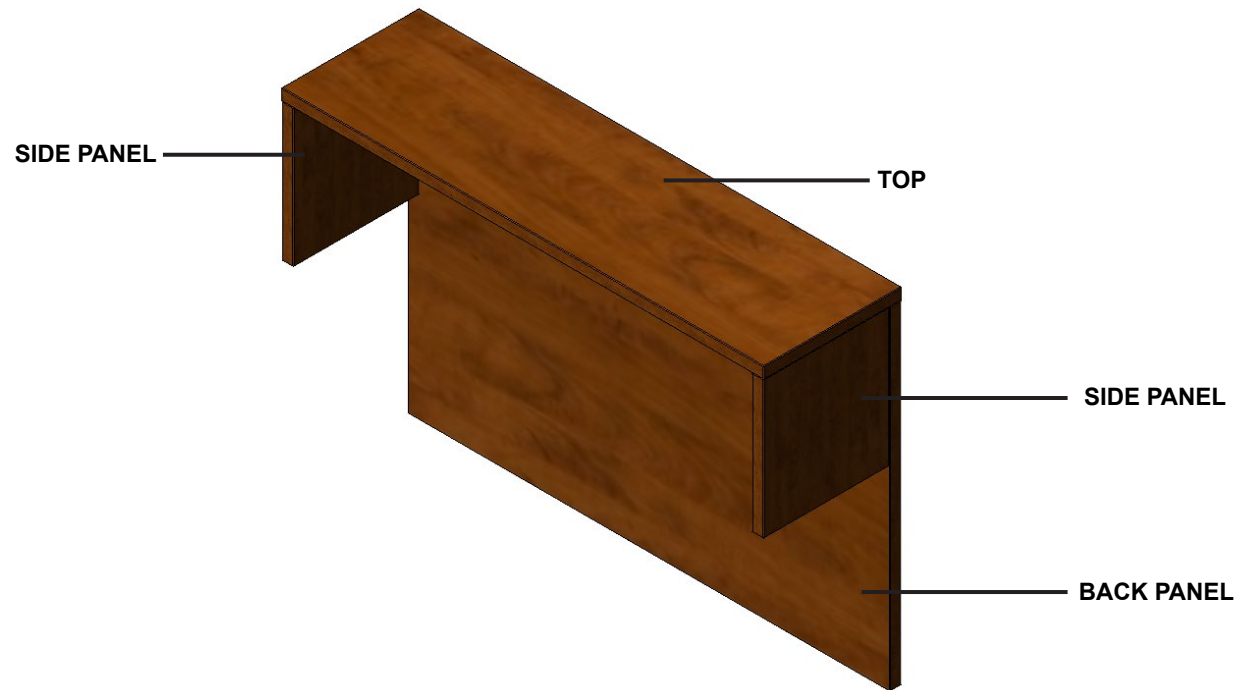


**COMPONENT BREAKDOWN:**



**DISCLAIMERS**

- Use all hardware provided to secure components as specified.
- This installation will require 2 or more people.
- Read all instructions and review all illustrations before installing. Failure to observe these warnings could result in injury.
- Product that is damaged by the end user due to misuse, accident, abuse, negligence or shipping is not covered under warranty.

**STEP ONE:**

Place the back panel on a soft, clean, scratch-resistant surface, with the pre-drilled holes facing upwards.

Push the cams into the pre-drilled holes located on the side panels.

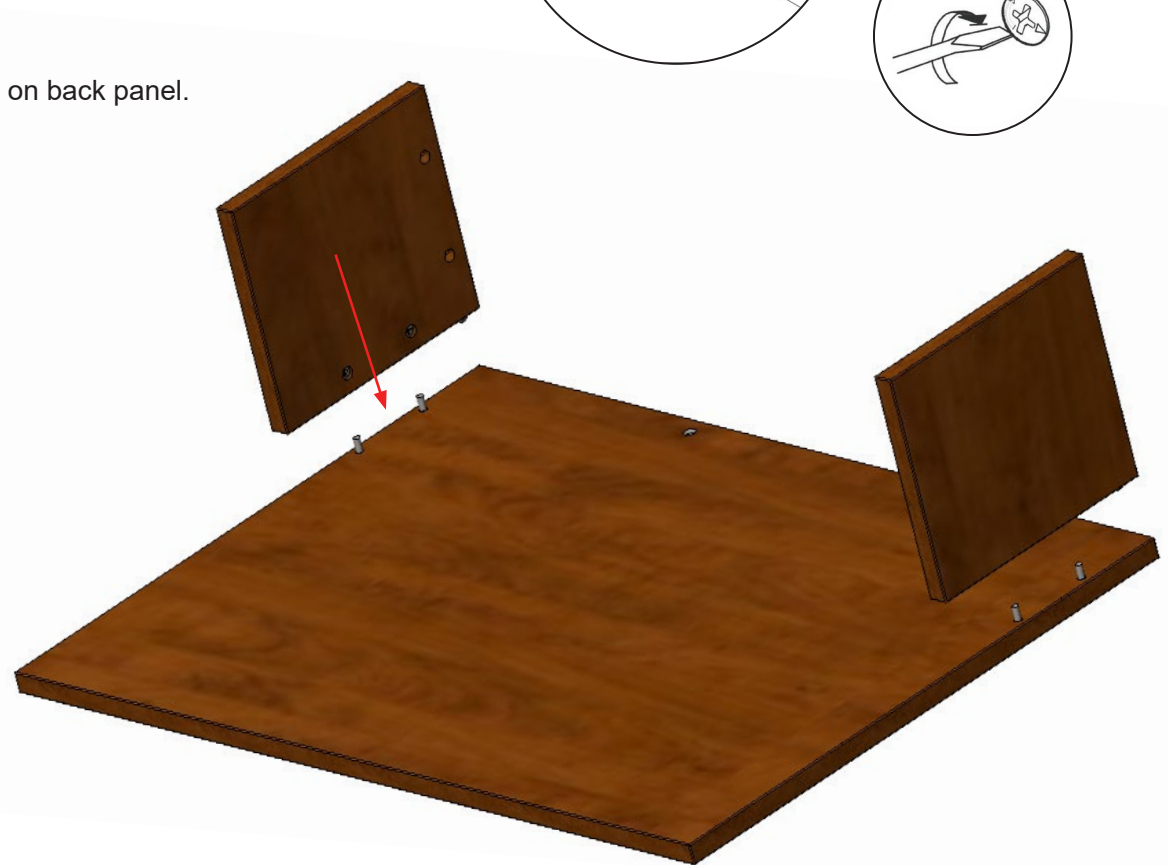
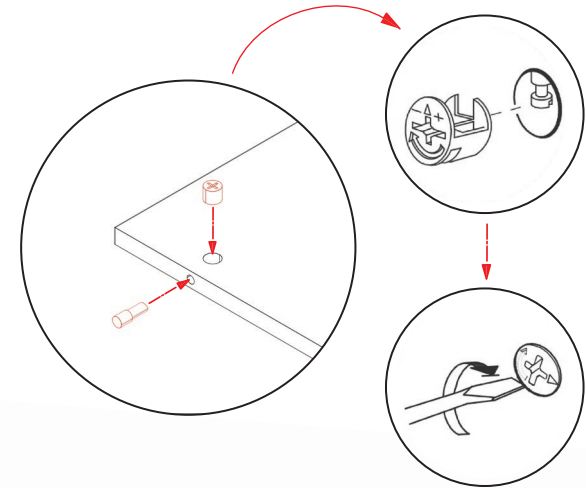
Note: making sure the arrow on the cam is facing the correct direction towards the edge of the panel in the direction of the pin hole.

Push the expanding pins, into the pre-drilled holes located on back panel.

Appropriately align the side panels and push them firmly into the back panel, ensuring no gap.

Turn the cams clockwise approximately 3/4 turn to lock the panels in place.

Cover any exposed cams with the cover caps provided.



**HARDWARE REQUIRED**



PIN



CAM



COVER  
CAP

**STEP TWO:**

Push the cams into the pre-drilled holes located on the back and side panels.

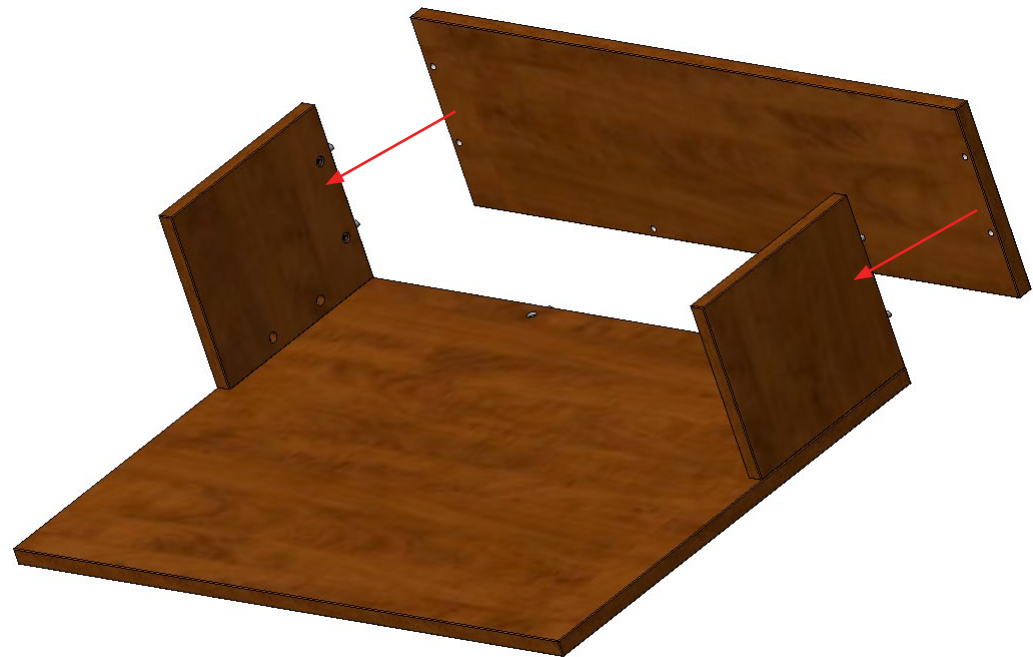
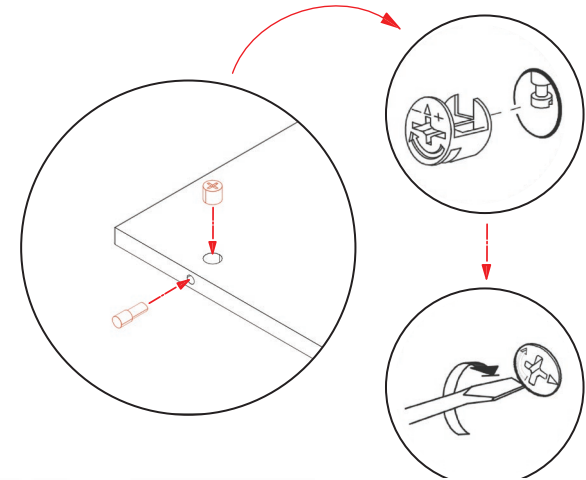
Note: making sure the arrow on the cam is facing the correct direction towards the edge of the panel in the direction of the pin hole.

Push the expanding pins, into the pre-drilled holes located on top.

Align the top and push it firmly into the back and side panels, ensuring no gap.

Turn the cams clockwise, approximately 3/4 turn to lock the top into place.

Cover any exposed cams with the cover caps provided.



**HARDWARE REQUIRED**



PIN



CAM

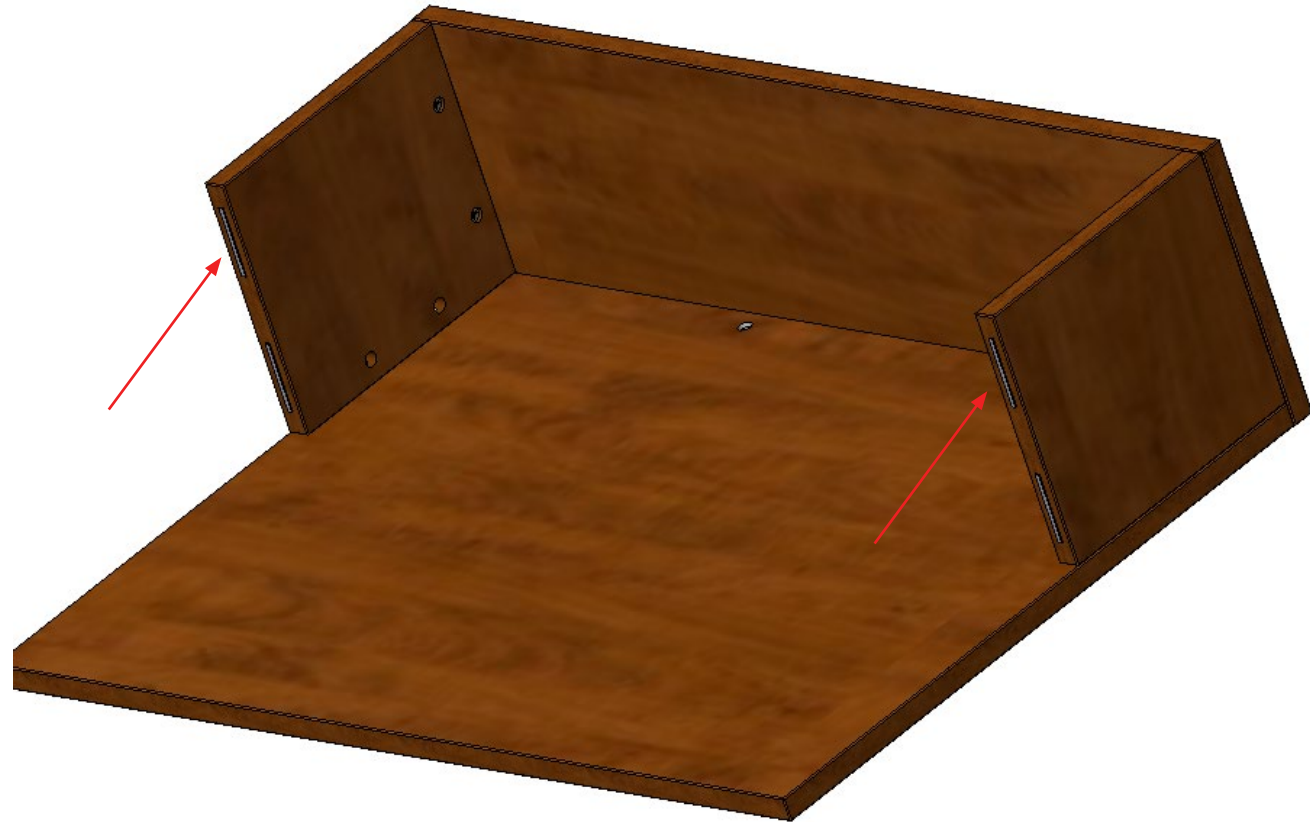


COVER  
CAP

**STEP THREE:**

Attach double sided tape to the underside of both side panels.

Note: Velcro strips are often sent in lieu of double sided tape.



**HARDWARE REQUIRED**



**DOUBLE SIDED  
TAPE**

**STEP FOUR**

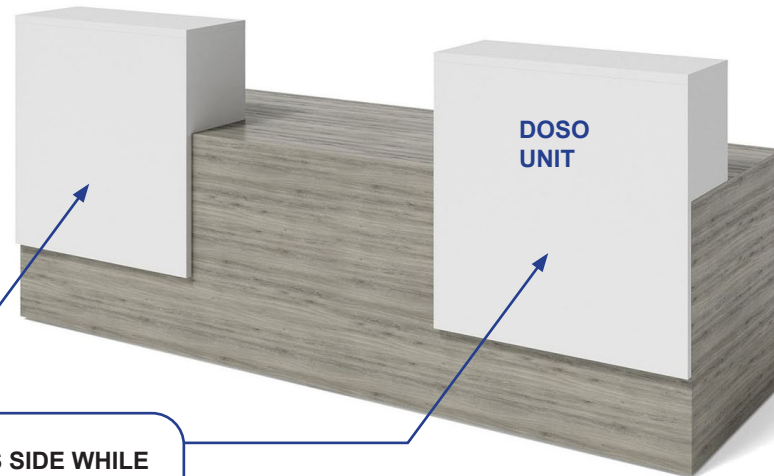
The unit is now fully assembled and ready to be placed onto your reception desk. Set the unit in place into your desired position on top of a desk surface. Secure in place with the double sided tape (or velcro) located under the side panels.

Underneath the desk surface, measure downwards 3” from the underside of the top and insert 1-3/4” wood screws through the desks back panel and into the hang on DOSO unit. Qty 3 screws are required. One near each end and one in the center. Note: In certain cases only some pilot holes may exist in the desks panel to aid in this step.

Two installers are required for this step. One installer must push the back panel of the DOSO unit forward while the second installer inserts the 1-3/4” wood screws through the desks back panel and into the back panel of the DOSO unit.



WOOD SCREWS WILL GO THROUGH THE UNDERSIDE OF THE DESKS BACK PANEL & INTO THE HANG ON DOSO BACK PANEL.



PLACE PRESSURE ON THIS SIDE WHILE INSTALLING WOOD SCREWS.

**HARDWARE REQUIRED**



WOOD SCREWS