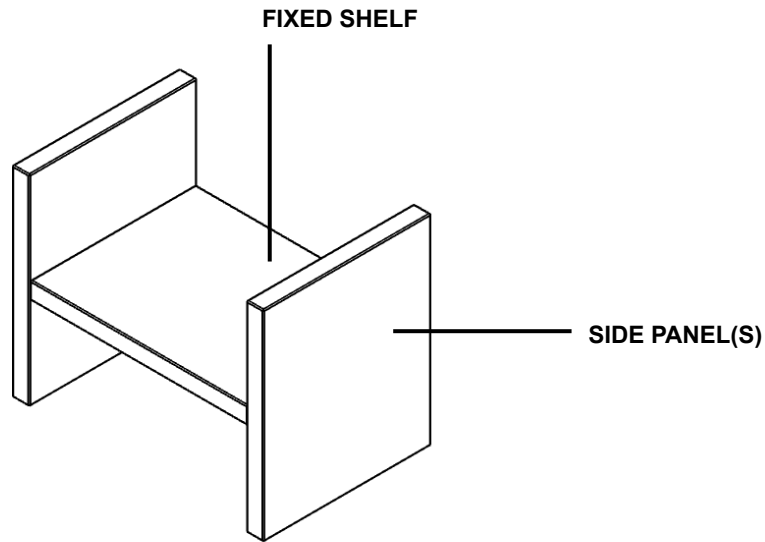


**COMPONENT BREAKDOWN:**



**HARDWARE INCLUDED:**



PIN



CAM



COVER  
CAP



VELCRO OR  
DOUBLE SIDE  
TAPE

**DISCLAIMERS**

- Use all hardware provided to secure components as specified.
- This installation may require 2 or more people.
- Read all instructions and review all illustrations before installing. Failure to observe these warnings could result in injury.
- Product that is damaged by the end user due to misuse, accident, abuse, negligence or shipping is not covered under warranty.

**STEP ONE:**

Attach the FIXED SHELF to the SIDE PANELS using the CAM & PINS provided.  
 See Figure A for further details on how to assemble with CAM & PIN connectors.  
 Once all CAMS are tightened apply the COVER CAPS over the CAM holes.

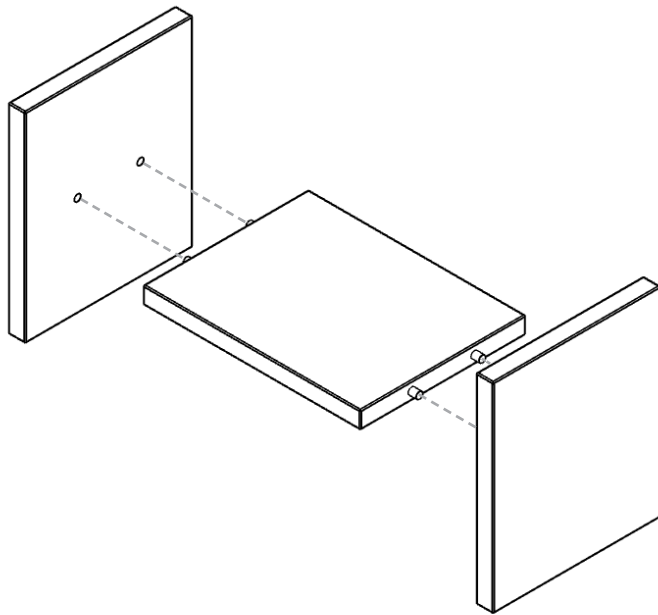
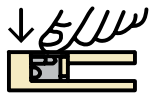
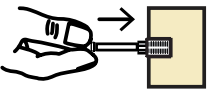
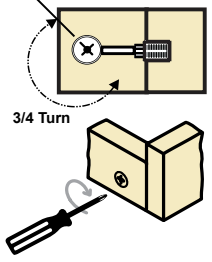


Figure A: Cam & Pin Installation

<p><b>STEP ONE:</b></p> 	<p>Press the Cams into the face of the board.  The arrow on the Cam must face the hole where the Pin will enter.</p>
<p><b>STEP TWO:</b></p> 	<p>Press the Pins into the side of the mating board. Apply hand pressure until the wider collar of each Pin sits flush with the surface.</p>
<p><b>STEP THREE:</b></p> 	<p>Align the panels so the Pins enter the Cam holes, then press them together firmly until the joint is fully sealed.  Using a screwdriver, turn each Cam clockwise approximately 3/4 of a turn to lock the expanding Pin in place.  Avoid overtightening.</p>

**HARDWARE INCLUDED:**



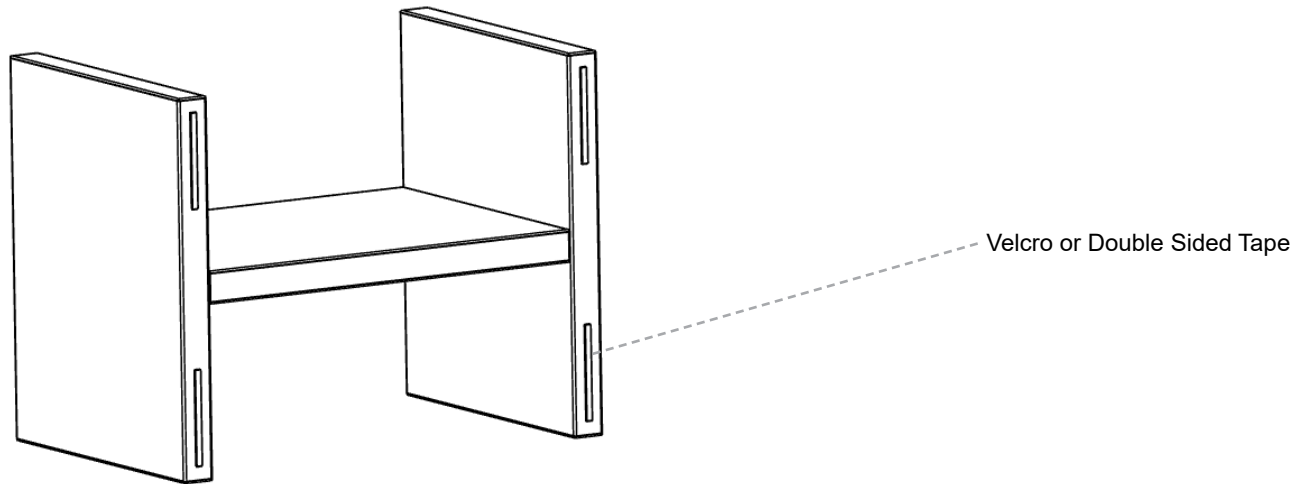
**STEP TWO:**

Apply the Velcro or double-sided tape to the backside of the Countertop Support.

Place the Countertop Support on top of the worksurface, aligning it directly under the countertop. Note: You must determine the correct positioning based on the specific layout for your project. See Figure B on Page 4 for examples of possible location applications.

Press the backside of the Countertop Support firmly against the back panel of the Reception Shell to engage and secure the Velcro or double-sided tape.

Ensure the support sits flush on the worksurface and is firmly adhered to the back panel before installing or placing weight on the countertop.



See Figure B on the following page for application examples of the Countertop Support.

**HARDWARE INCLUDED:**

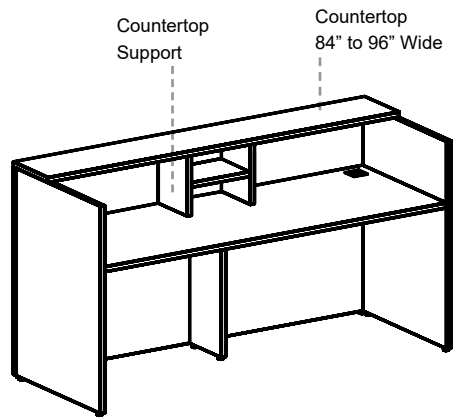


**VELCRO OR  
DOUBLE SIDE  
TAPE**

**FIGURE B: APPLICATION EXAMPLES**

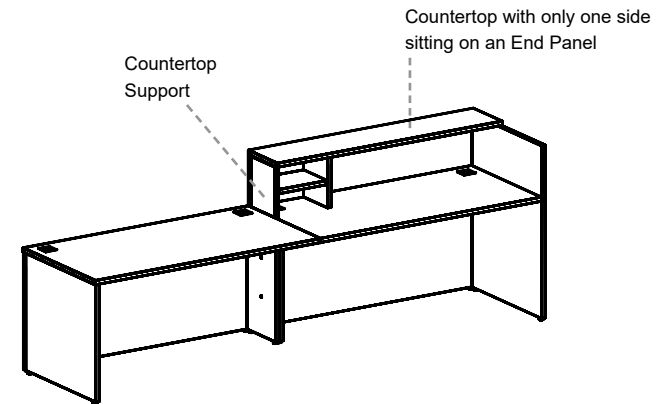
Example #1:

Countertops 84" to 96" must be specified with a Countertop Support underneath.



Example #3:

Countertops that have only one side supported by an End Panel must include a Countertop Support on the opposite side that is not supported by an End Panel.



Example #2:

When joining two countertops along their sides, a Countertop Support must be specified to sit beneath the seam where the two countertop surfaces meet.

