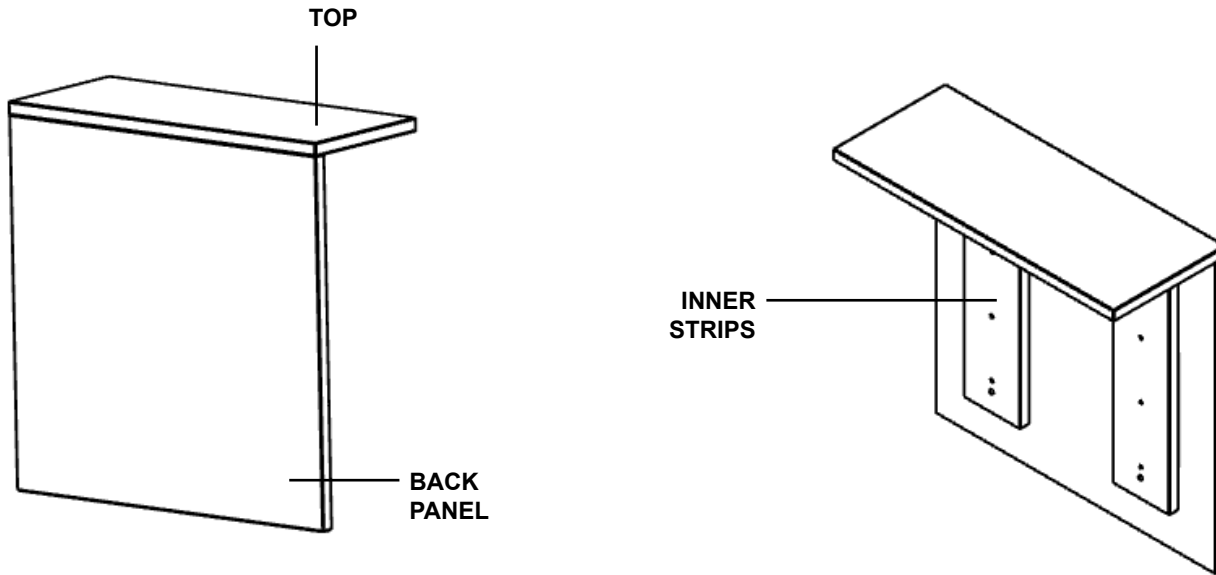


**COMPONENT BREAKDOWN:**



**HARDWARE INCLUDED:**



**PIN**



**CAM**



**L-BRACKET**



**5/8"  
WOOD  
SCREW**



**1-3/4"  
WOOD  
SCREW**

**DISCLAIMERS**

- Use all hardware provided to secure components as specified.
- This installation may require 2 or more people.
- Read all instructions and review all illustrations before installing. Failure to observe these warnings could result in injury.
- Product that is damaged by the end user due to misuse, accident, abuse, negligence or shipping is not covered under warranty.

**STEP ONE:**

Attach the TOP to the BACK PANEL using the CAM & PINS provided.

See Figure A for further details on how to assemble with CAM & PIN connectors.

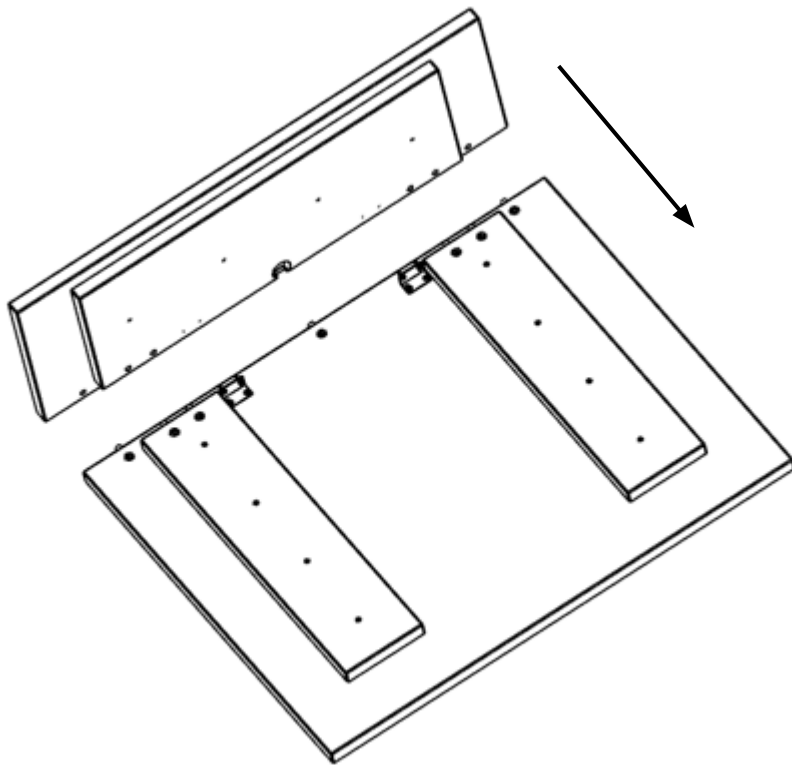

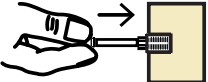
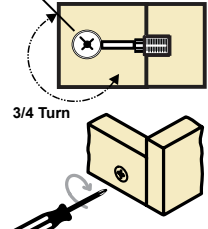
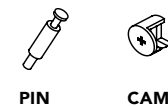


Figure A: Cam & Pin Installation

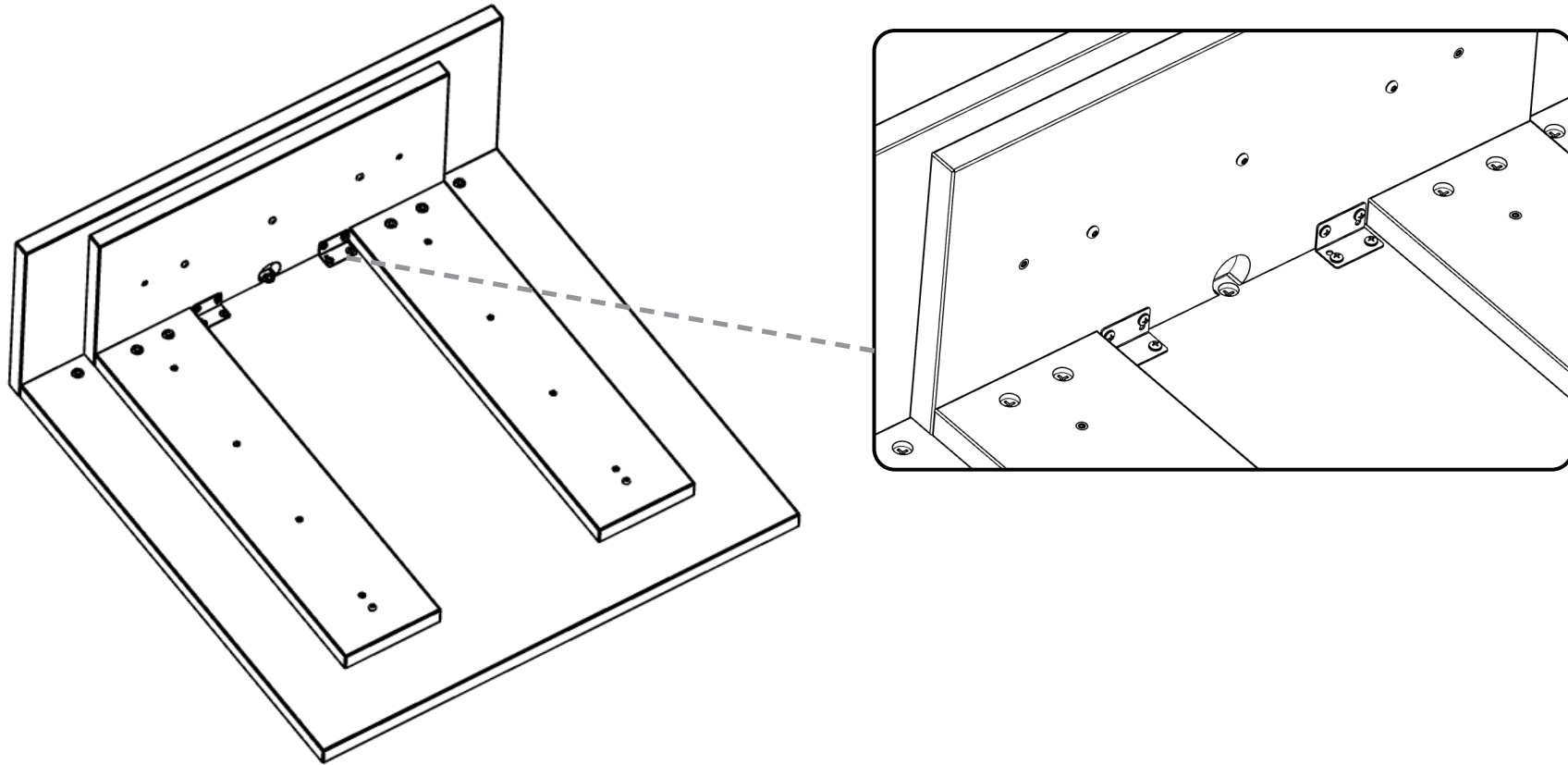
<p><b>STEP ONE:</b></p> 	<p>Press the Cams into the face of the board.</p> <p>The arrow on the Cam must face the hole where the Pin will enter.</p>
<p><b>STEP TWO:</b></p> 	<p>Press the Pins into the side of the mating board. Apply hand pressure until the wider collar of each Pin sits flush with the surface.</p>
<p><b>STEP THREE:</b></p>  <p>3/4 Turn</p>	<p>Align the panels so the Pins enter the Cam holes, then press them together firmly until the joint is fully sealed.</p> <p>Using a screwdriver, turn each Cam clockwise approximately <math>\frac{3}{4}</math> of a turn to lock the expanding Pin in place. Avoid overtightening.</p>

**HARDWARE INCLUDED:**

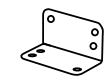


**STEP TWO:**

Further secure the TOP and BACK PANEL together using the L-Brackets and 5/8" Wood Screws provided.



**HARDWARE INCLUDED:**



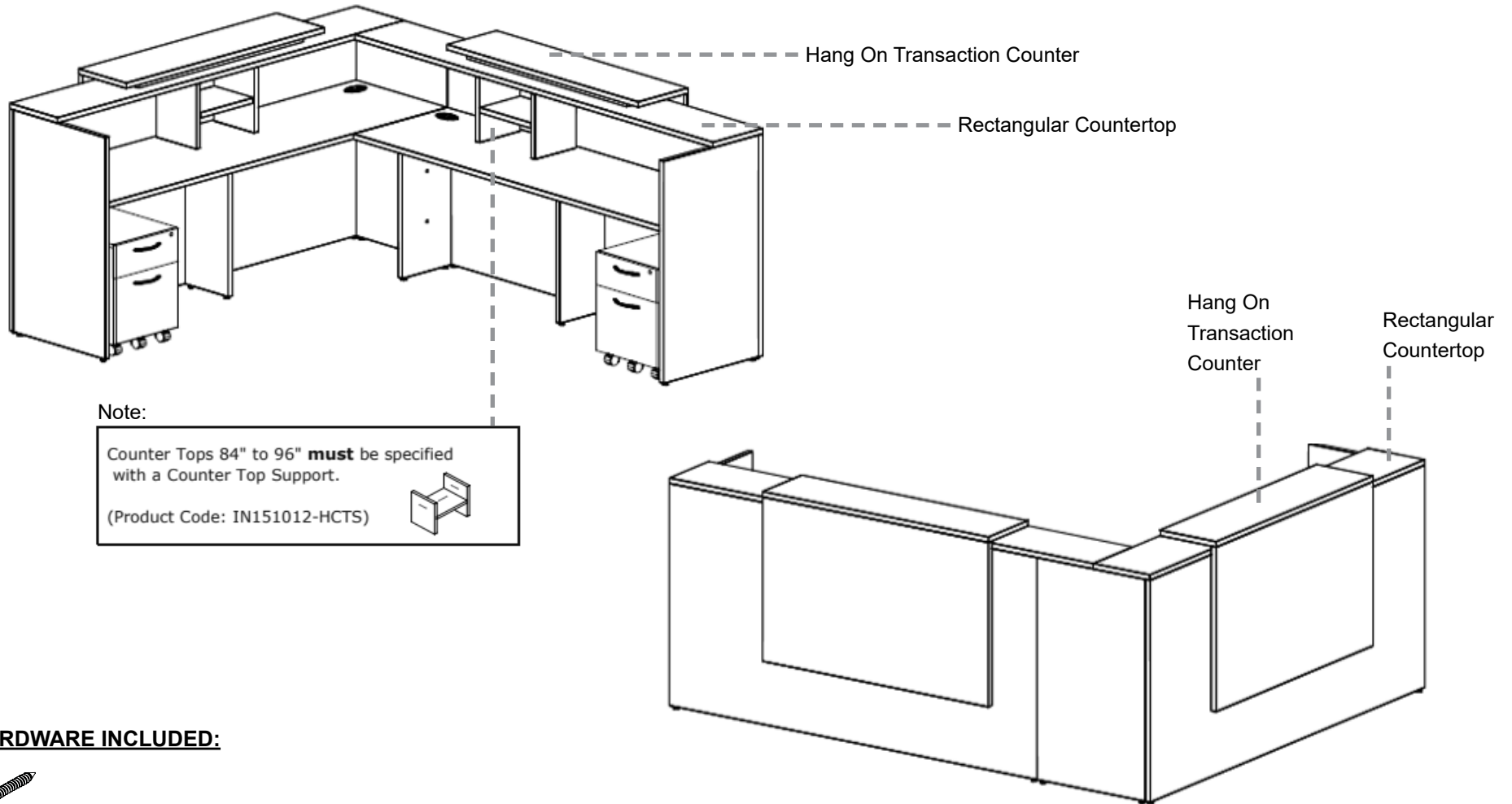
L-BRACKET



5/8"  
WOOD  
SCREW

**STEP THREE:**

Once secured together the Hang On Transaction Counter is ready to be installed on to your reception station. The Hang On Transaction Counter MUST be installed on top of a rectangular countertop. See example below:



**HARDWARE INCLUDED:**



1-3/4"  
WOOD  
SCREW

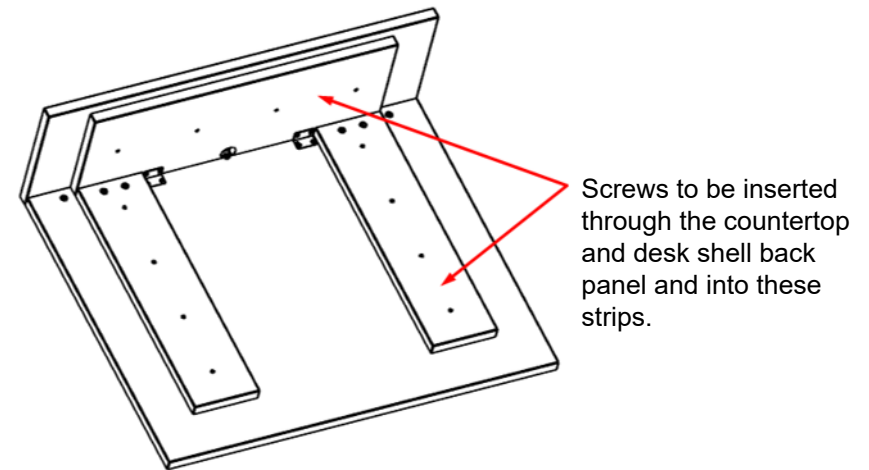
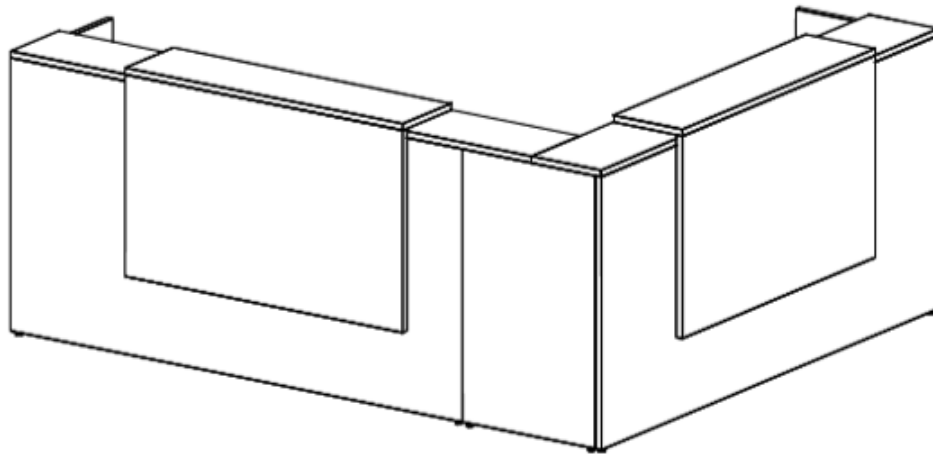
**STEP THREE (CONTINUED):**

To secure in place, position the Hang On Transaction Counter on top of the Rectangular Countertop in your desired location.

The 1-3/4" wood screws must be positioned so that they go through the underside of the rectangular countertop and into the INNER STRIPS located on the Hang On Transaction unit.

Place additional wood screws through the backside of the desk shell unit and into the INNER STRIPS located on the Hang On Transaction unit.

See Figure B located on the next page for the Inset location of wood screws.



**STEP THREE (CONTINUED):**

Figure B:

