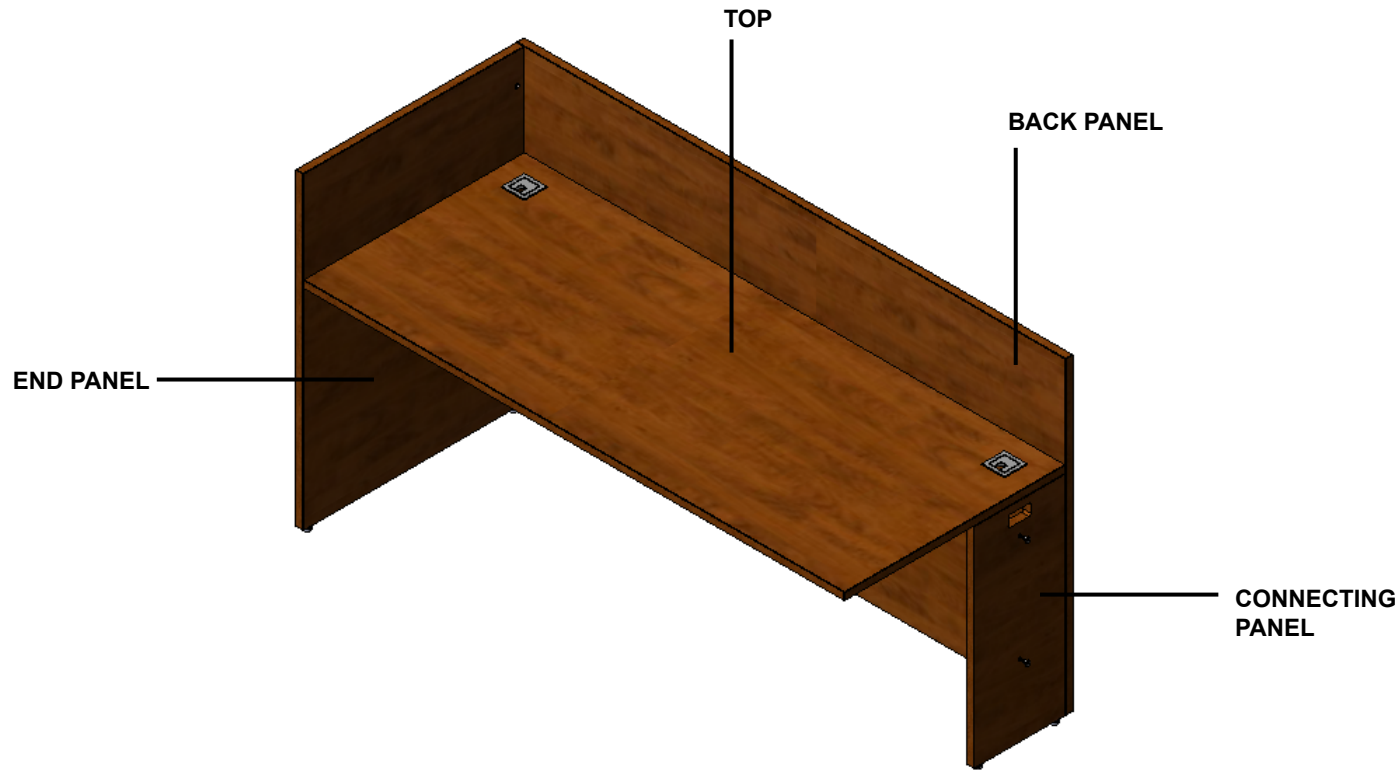
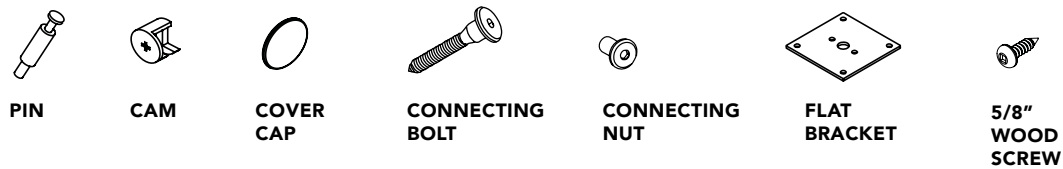


COMPONENT BREAKDOWN:



HARDWARE INCLUDED:



DISCLAIMERS

- Use all hardware provided to secure components as specified.
- This installation will require 2 or more people.
- Read all instructions and review all illustrations before installing. Failure to observe these warnings could result in injury.
- Product that is damaged by the end user due to misuse, accident, abuse, negligence or shipping is not covered under warranty.

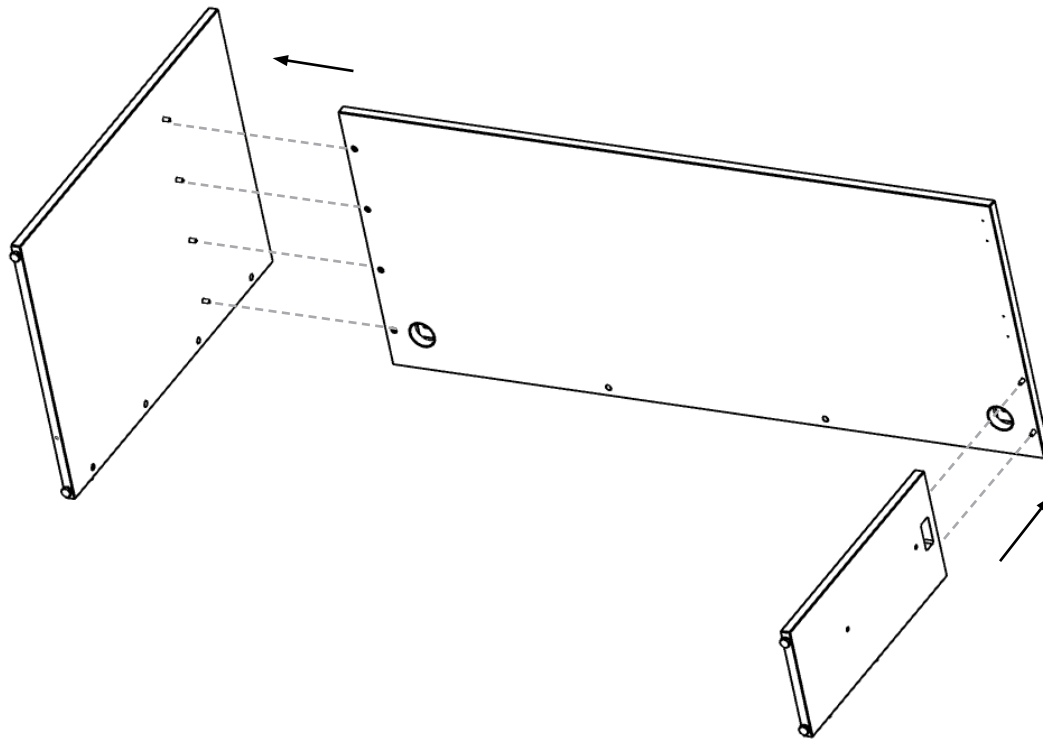
STEP ONE:

Attach the END PANEL and CONNECTING PANEL to the TOP using the CAM & PINS provided.

See Figure A for further details on how to assemble with CAM & PIN connectors.

Once all CAMS are tightened apply the COVER CAPS over the CAM holes.

Note: once connected together the unit must be moved with extreme caution to prevent the panels from bending inwards or outwards and breaking the cams & pins inside the unit.



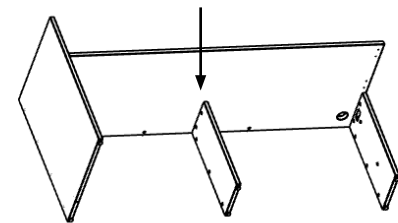
HARDWARE INCLUDED:



Figure A: Cam & Pin Installation

<p>STEP ONE:</p>	<p>Press the Cams into the face of the board.</p> <p>The arrow on the Cam must face the hole where the Pin will enter.</p>
<p>STEP TWO:</p>	<p>Press the Pins into the side of the mating board. Apply hand pressure until the wider collar of each Pin sits flush with the surface.</p>
<p>STEP THREE:</p>	<p>Align the panels so the Pins enter the Cam holes, then press them together firmly until the joint is fully sealed.</p> <p>Using a screwdriver, turn each Cam clockwise approximately $\frac{3}{4}$ of a turn to lock the expanding Pin in place. Avoid overtightening.</p>

Note: Units wider than 72" will have an additional center support panel that will need to be installed in this step.



STEP TWO:

Place the BACK PANEL on a soft, clean, scratch resistant surface with the pilot holes facing upwards.

Gently lift and attach the MODESTY PANEL, SIDE PANELS and TOP pre-assembled in Step One to the TOP using the CAM & PINS provided.

See Figure A for further details on how to assemble with CAM & PIN connectors.

Once all CAMS are tightened apply the COVER CAPS over the CAM holes.

If they are not already installed, insert all provided floor levelers into the T-nuts located on the bottom of the unit.

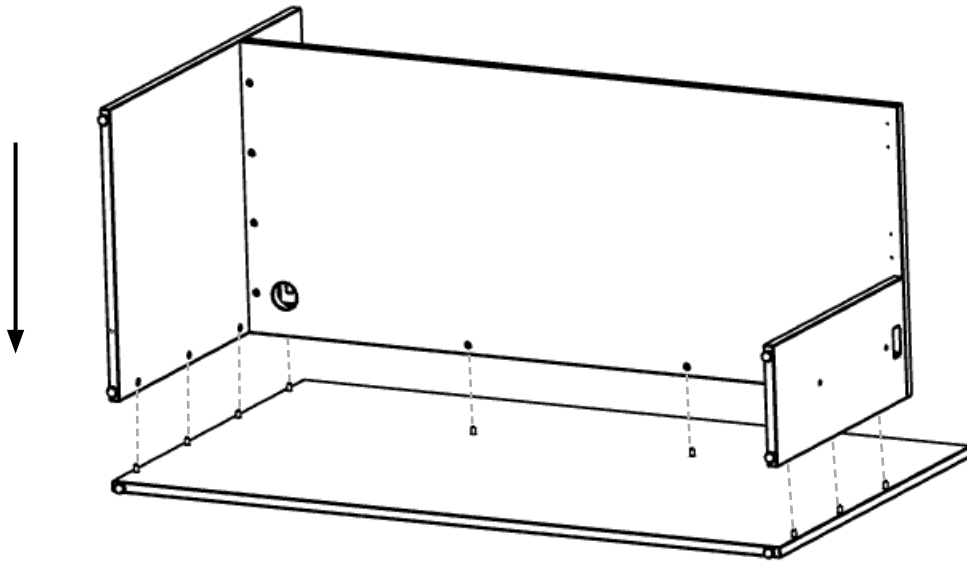

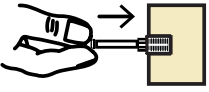
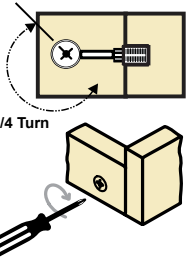


Figure A: Cam & Pin Installation

<p>STEP ONE:</p> 	<p>Press the Cams into the face of the board.</p> <p>The arrow on the Cam must face the hole where the Pin will enter.</p>
<p>STEP TWO:</p> 	<p>Press the Pins into the side of the mating board. Apply hand pressure until the wider collar of each Pin sits flush with the surface.</p>
<p>STEP THREE:</p> 	<p>Align the panels so the Pins enter the Cam holes, then press them together firmly until the joint is fully sealed.</p> <p>Using a screwdriver, turn each Cam clockwise approximately $\frac{3}{4}$ of a turn to lock the expanding Pin in place. Avoid overtightening.</p>

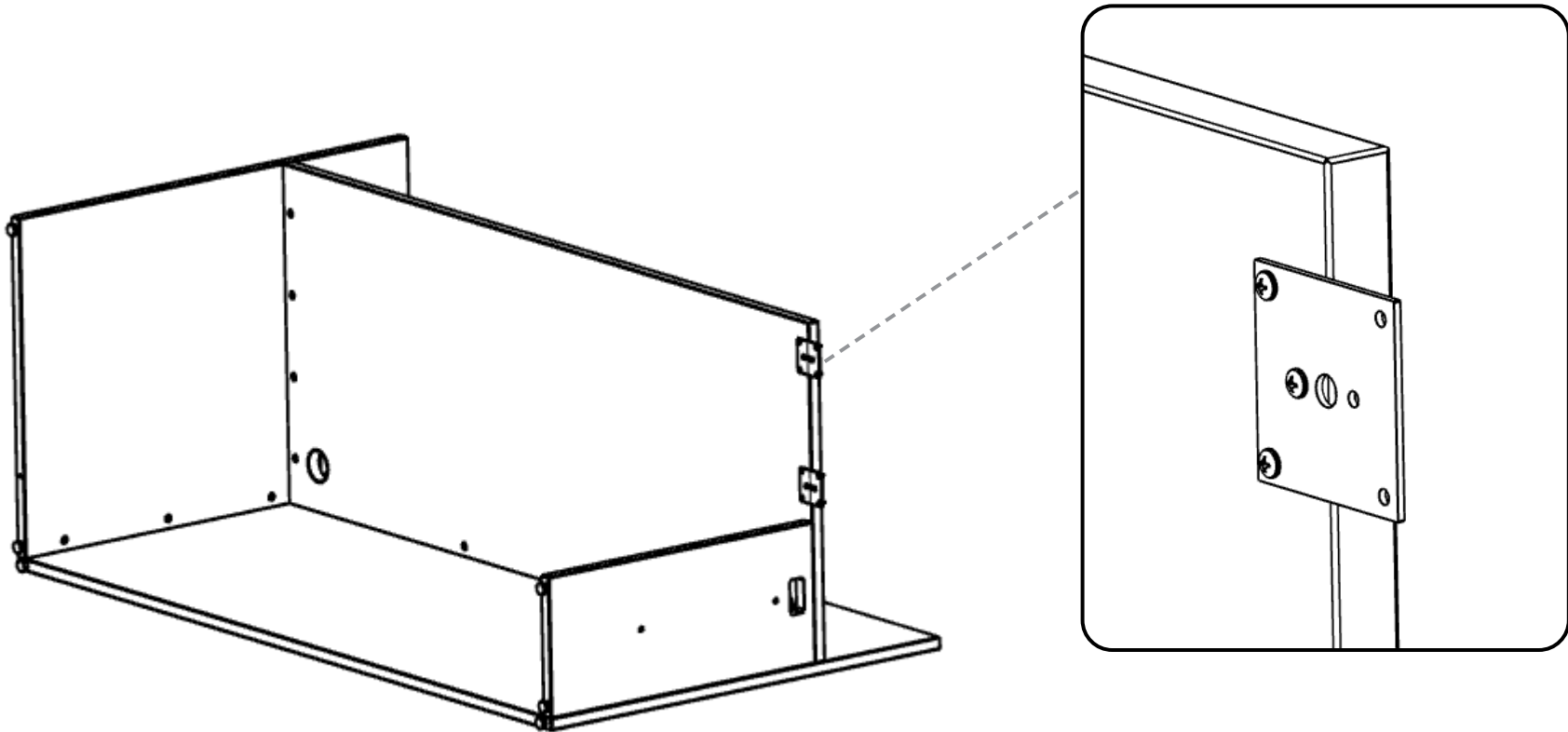


HARDWARE INCLUDED:

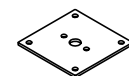


STEP THREE:

Attached the flat brackets to the underside of the top using the 5/8" wood screws. Pilot holes will be located at the underside of the top to aid in the correct positioning of the flat brackets.



HARDWARE INCLUDED:



**FLAT
BRACKET**

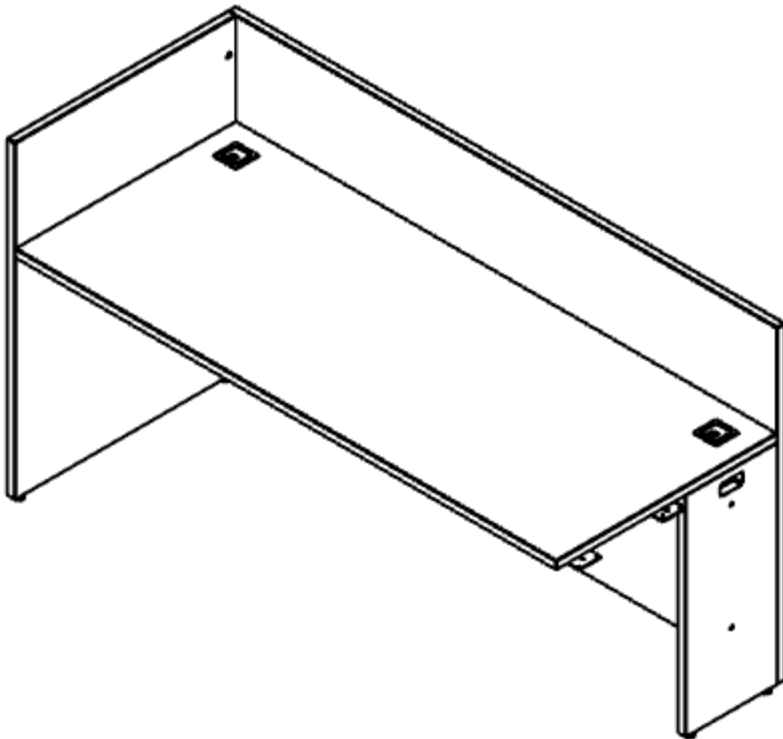


**5/8"
WOOD
SCREW**

STEP FOUR

Gently turn the desk shell upright and ensure that all components are properly assembled.

Level the unit as required.

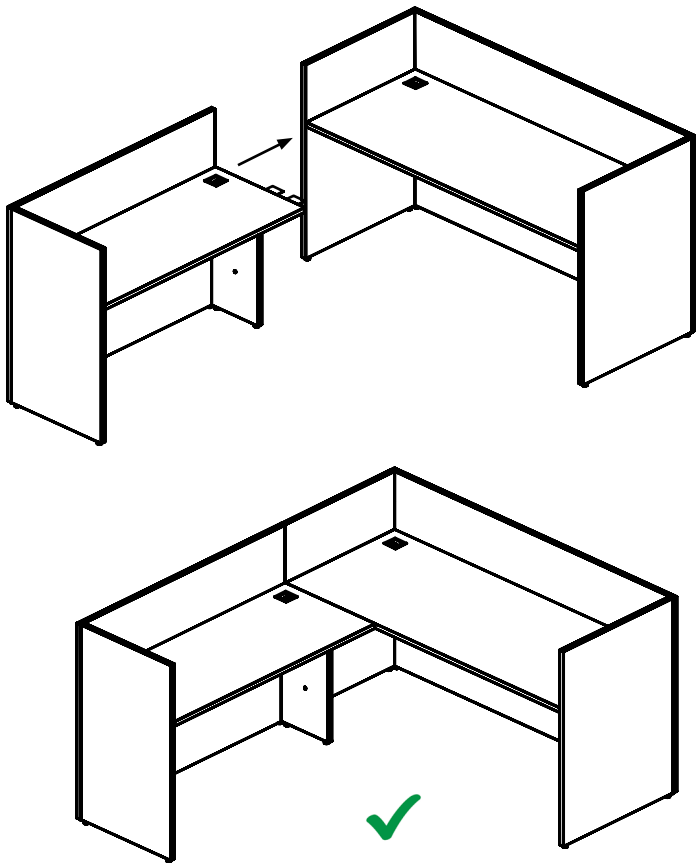


STEP FIVE

Connect the unit using one of the connection options below.

L-CONFIGURATION:

Join the Connecting Shell and the Main Desk Shell together using the Flat Brackets and 5/8" wood screws provided.



IN-LINE CONFIGURATION:

Join the panels on the two Connecting Shells together using the Connecting Nuts & Bolts Provided. Connect the two surfaces together using the Flat Brackets and 5/8" wood screws provided.

