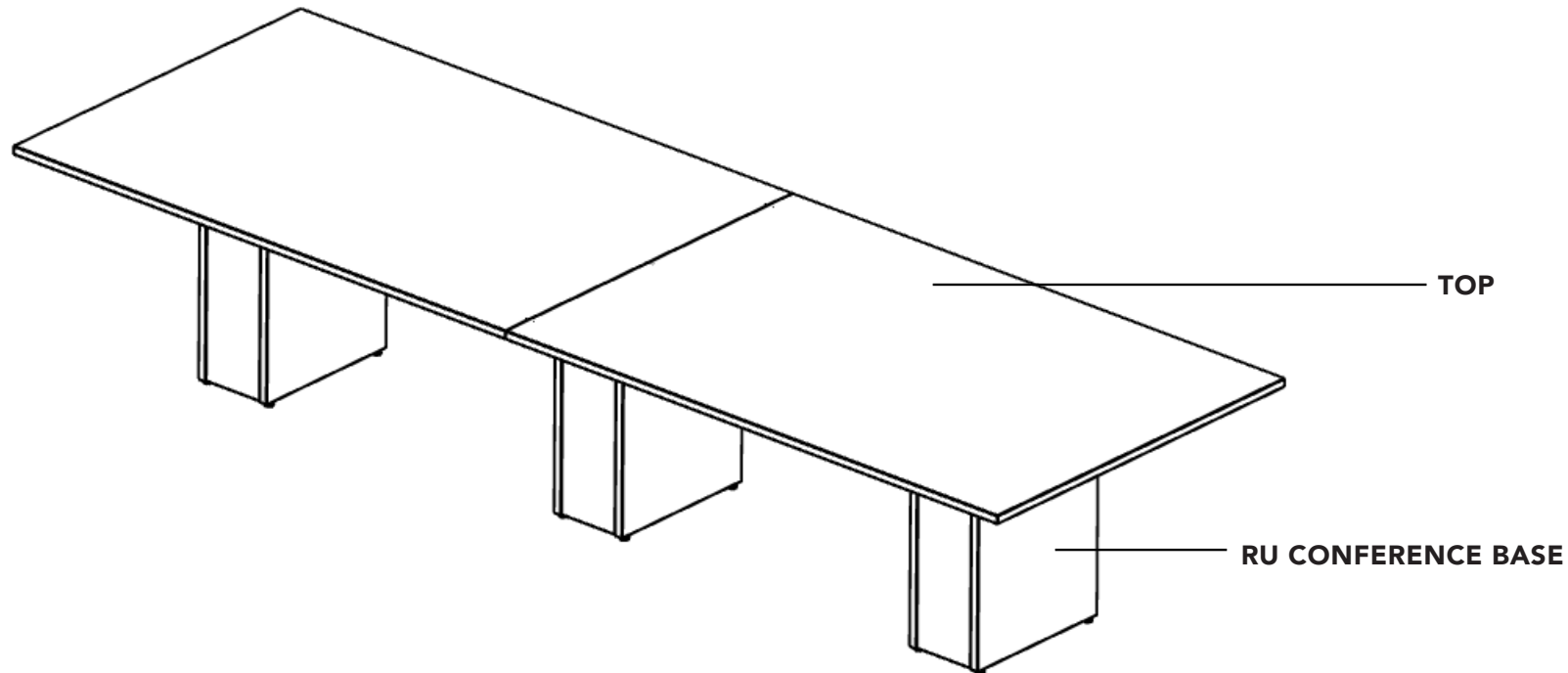


COMPONENT BREAKDOWN:



DISCLAIMERS

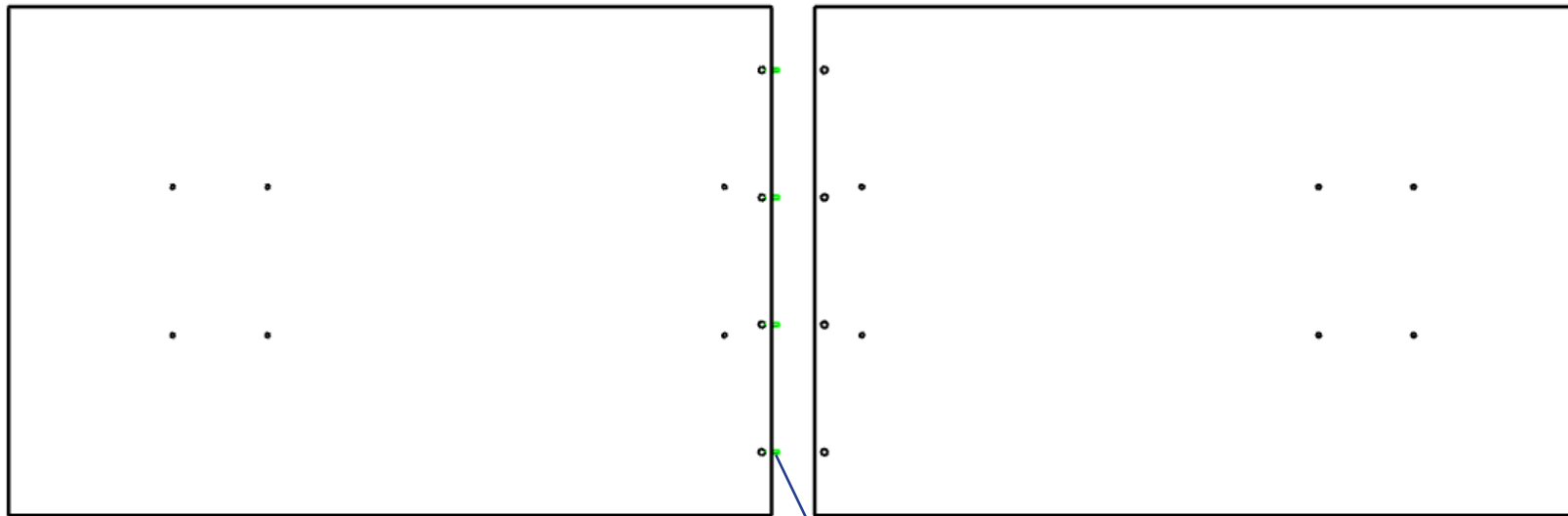
- Use all hardware provided to secure components as specified.
- This installation will require 2 or more people.
- Read all instructions and review all illustrations before installing. Failure to observe these warnings could result in injury.
- Product that is damaged by the end user due to misuse, accident, abuse, negligence or shipping is not covered under warranty.

STEP ONE

Place the tabletop pieces on a soft, clean, scratch-resistant surface with the pilot holes facing upward (as shown).

Insert the double-ended dowels into one side of the top, where the two pieces will join.

Once all dowels are inserted, gently push the two surfaces together.



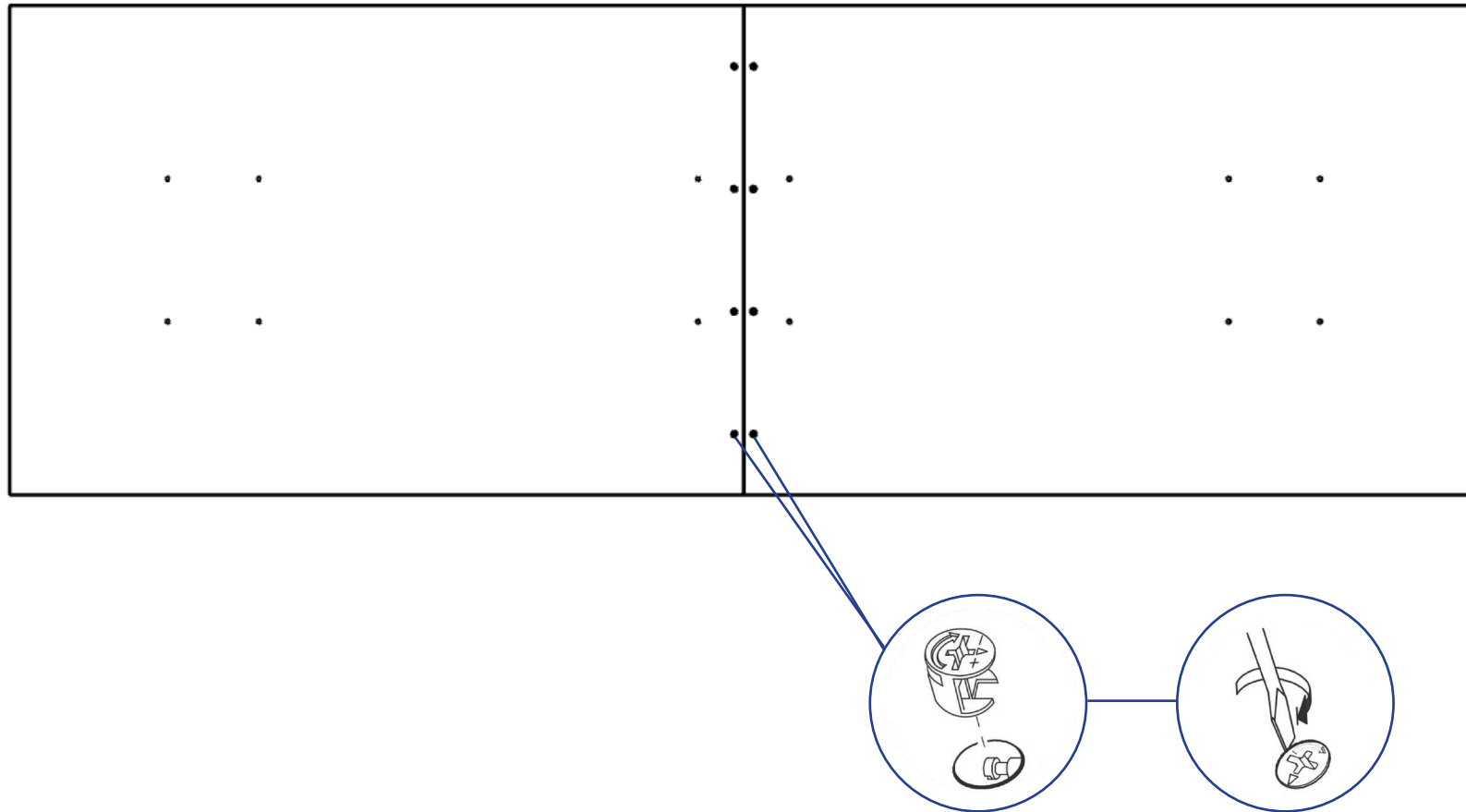
Double Ended Dowel



STEP TWO

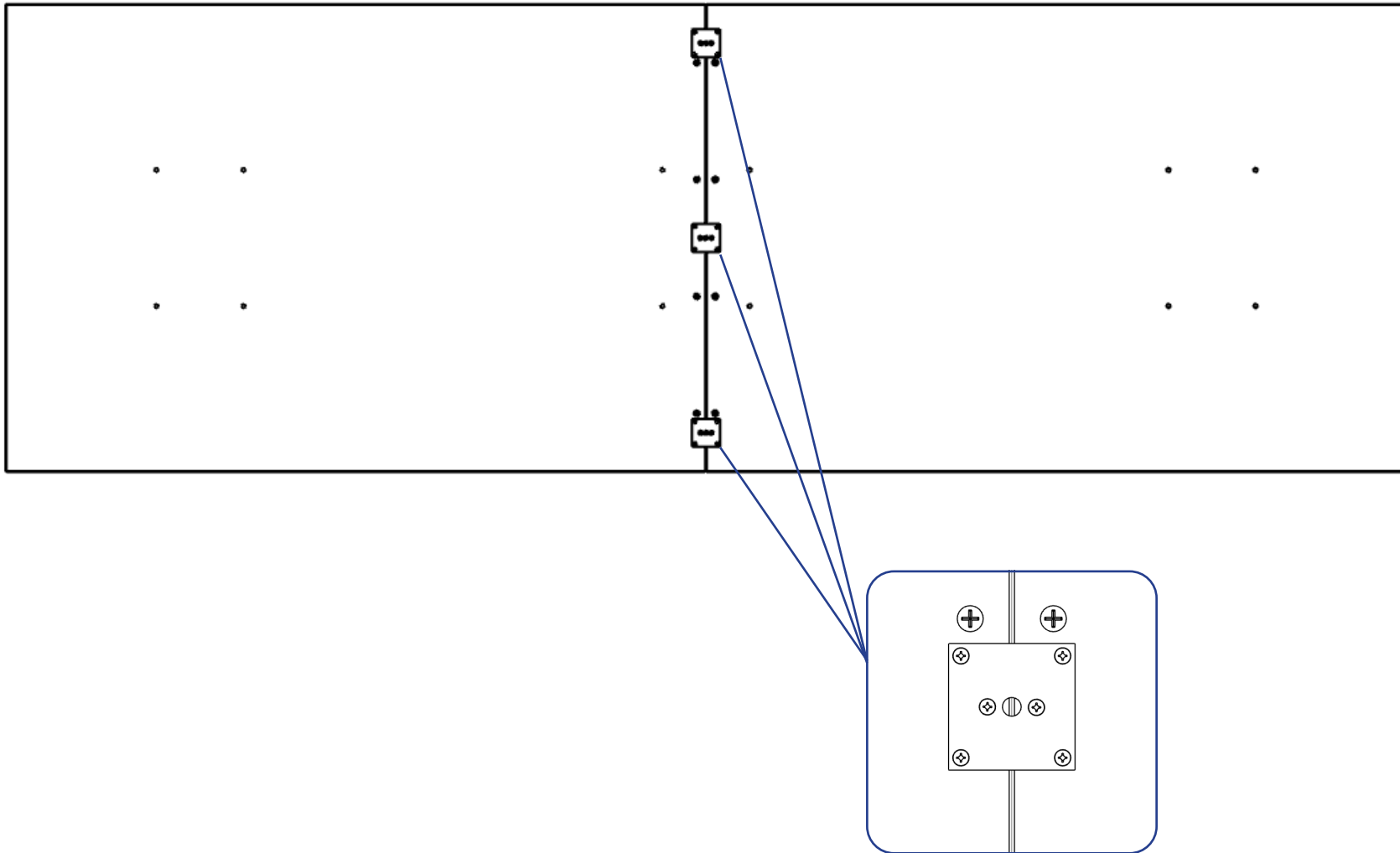
Insert the cams into the holes on either side of the double-ended dowels.

Turn the cams clockwise approximately 3/4 of a turn to lock the dowels in place.



STEP THREE

Attach the flat brackets using the 5/8" wood screws at the joint where the two tops meet (as shown below).



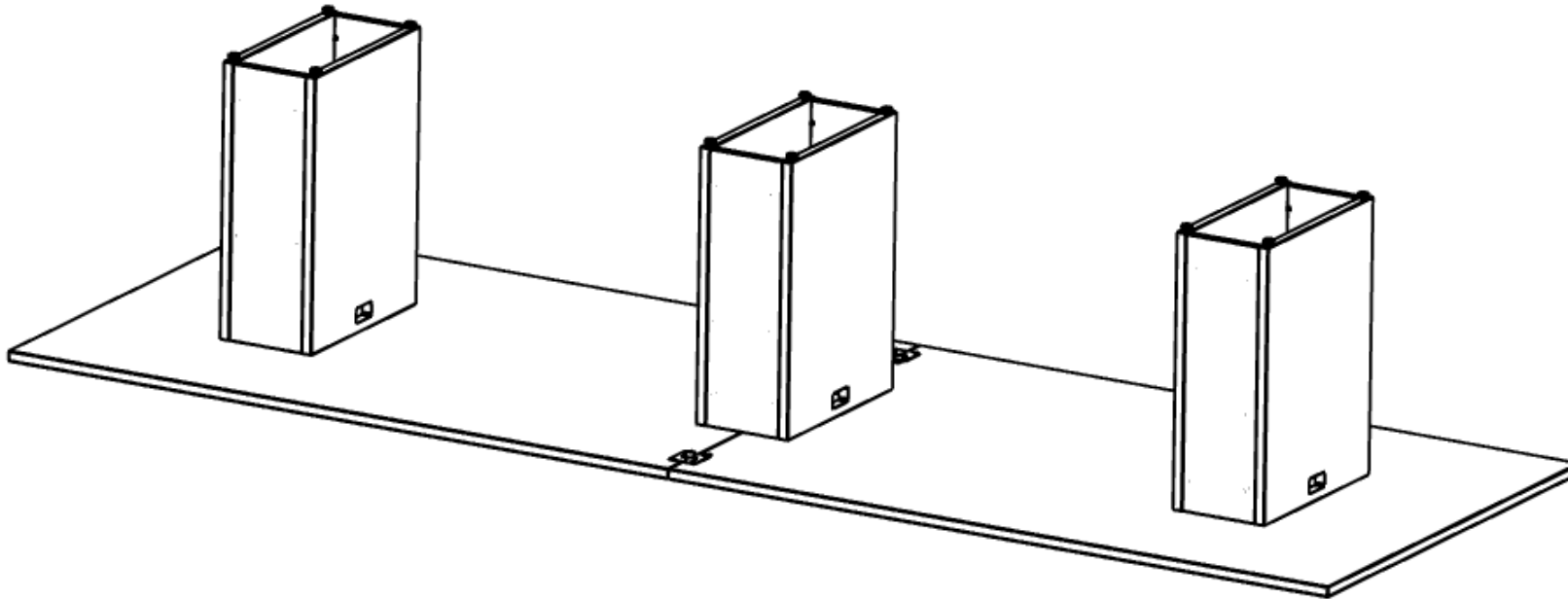
If you have questions, please call OFGO STUDIO Customer Service Toll Free at 1.800.374.3375

STEP FOUR

To attach the RU bases to the top, insert the expanding pins into the pre-drilled holes in the tabletop.

Align the RU bases onto the expanding pins. Lock the pins into place by: (a) Inserting the cams inside the RU base, and (b) Turning the cams clockwise approximately 3/4 of a turn.

Note: The RU-style bases come pre-assembled and include a flip-up door on one end for easy access to the inside of the base.



HARDWARE REQUIRED



PIN

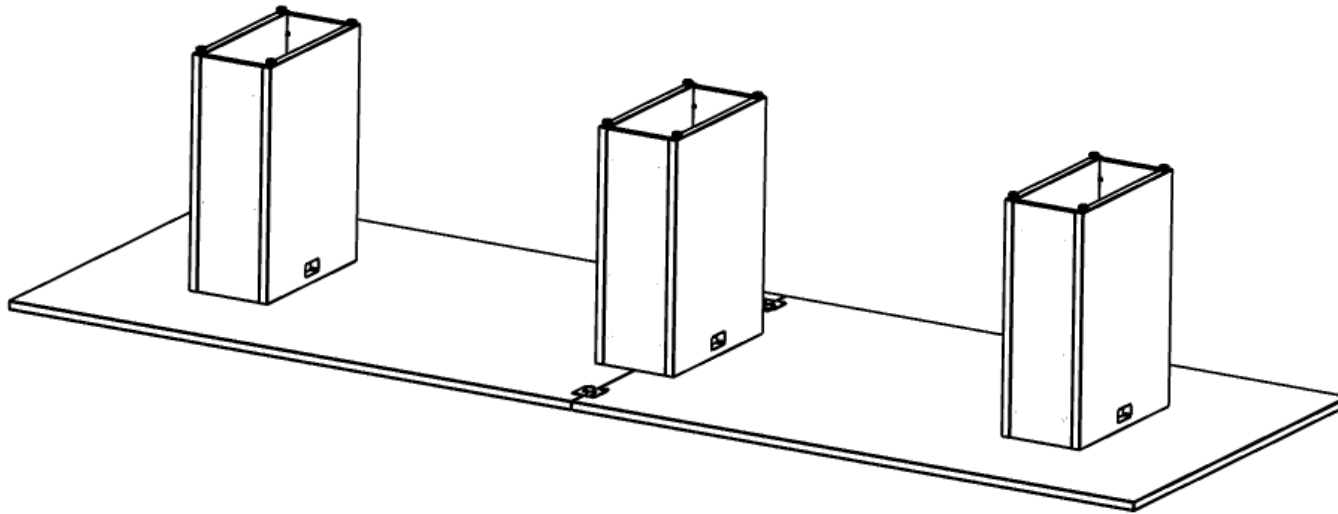


CAM

If you have questions, please call OFGO STUDIO Customer Service Toll Free at 1.800.374.3375

STEP FIVE

From inside the rectangular base, attach the L-brackets to connect the base to the top, following the bracket pattern shown in the image below.



L-BRACKET PATTERN



[CLICK HERE](#) to watch a video of how to install the expanding pins and cam locks.

If you have questions, please call OFGO STUDIO Customer Service Toll Free at 1.800.374.3375

HARDWARE REQUIRED



L-BRACKET



**5/8" WOOD
SCREW**

STEP SIX

With two or more people, carefully flip the conference table into the upright position.

