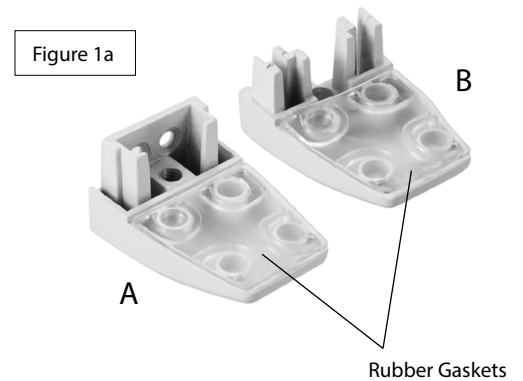


- 1 Take apart the clip by sliding the two peices away from each other (see piece A and B in figure 1a)

Make sure the rubber gaskets are installed on each side of the clip.



- 2 Take piece A (which is the piece with the screwholes), and position it on the surface where you would like to attach the screen.

Use the two (2) wood screws provided and a power drill to attach piece A onto the surface. Make sure all glass clips are aligned evenly across the surface.

Slide the remaining piece B into place. Tighten the Bolt (shown in figure 2a, item C), using a Hex Key. Tighten only until the bolt begins to thread and then gently place the acrylic tile inside the clip in between piece A and piece B.

Continue to tighten the Bolt using the Hex Key until the acrylic is secured in place.

Figure 2a

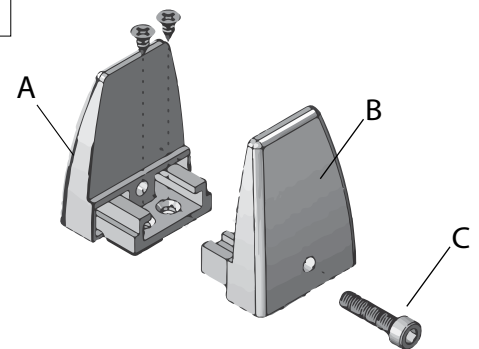


Figure 2b

