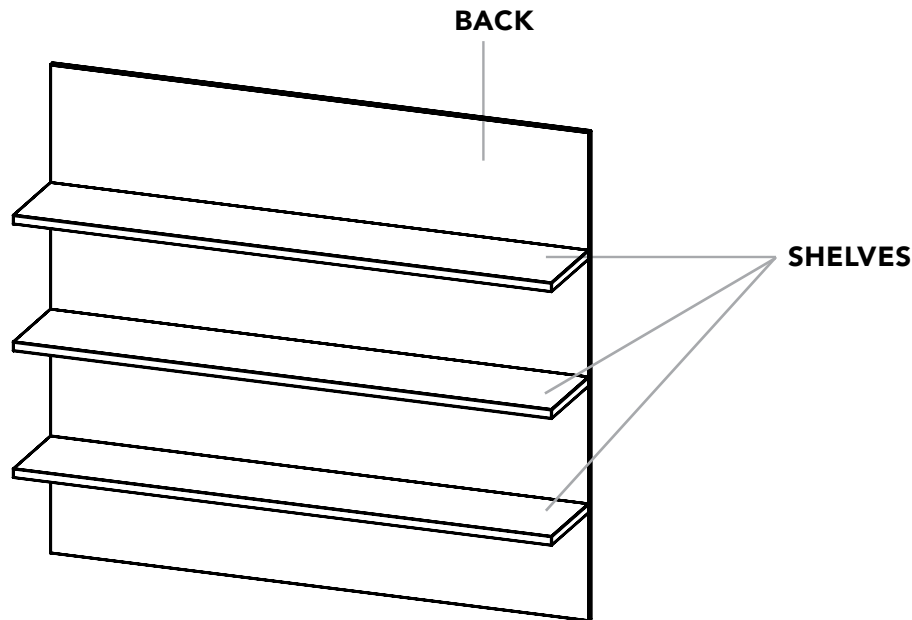


COMPONENT BREAKDOWN:



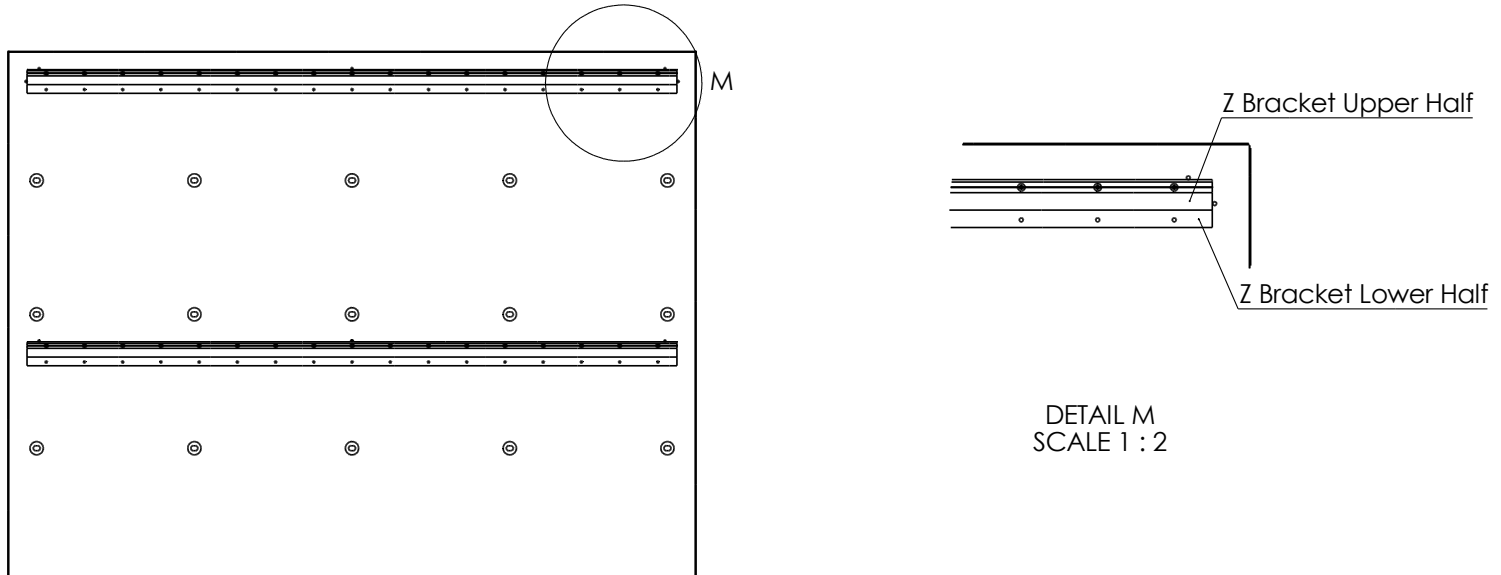
NOTE:

The following assembly instructions outline the installation process for a wall-mounted panel with three shelves. This same process also applies to wall-mounted panels with one or two shelves; simply install the appropriate number of shelves included with the unit you ordered.

DISCLAIMERS

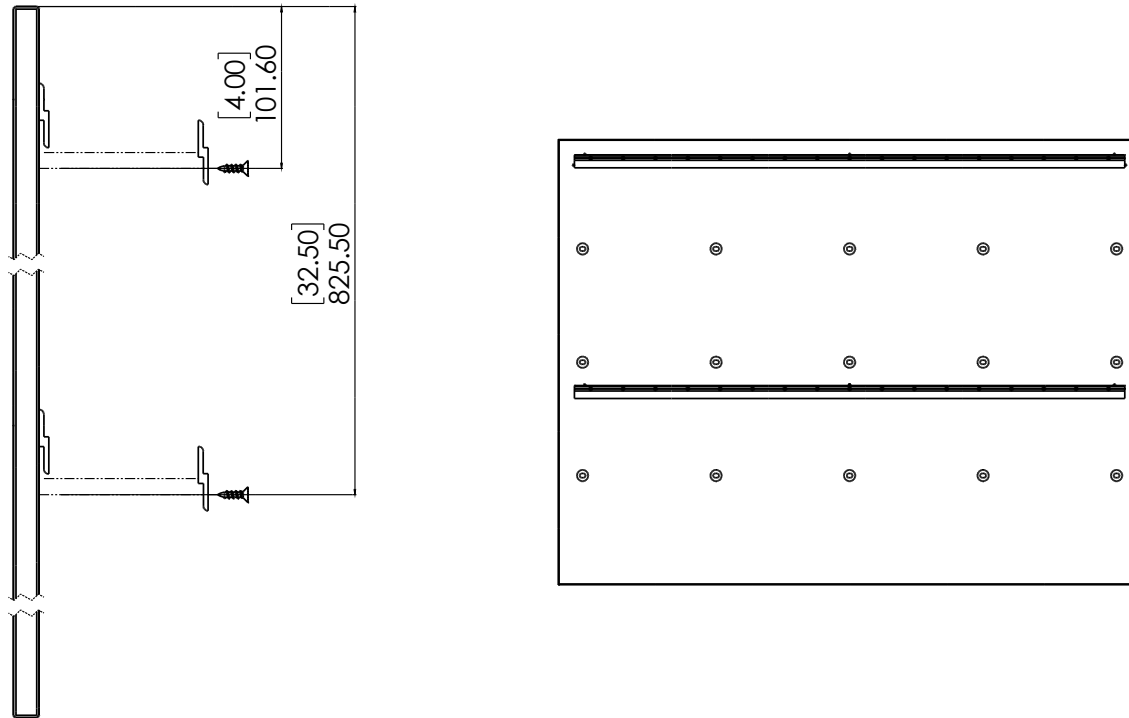
- Use all hardware provided to secure components as specified.
- This installation will require 2 or more people.
- Read all instructions and review all illustrations before installing. Failure to observe these warnings could result in injury.
- When attaching the Z-Bracket wall cleat to the wall, it is the customers responsibility
- The customer must ensure structural integrity of the wall is sufficient to support the wall mounted unit. All wall mounting hardware (not included) should be securely fastened to the studs on the load bearing wall.
- Product that is damaged by the end user due to misuse, accident, abuse, negligence or shipping is not covered under warranty.

ASSEMBLY INSTRUCTIONS: Step 1



Your wall panel will come standard with the upper portion of the Z-Bracket wall cleats pre-installed.

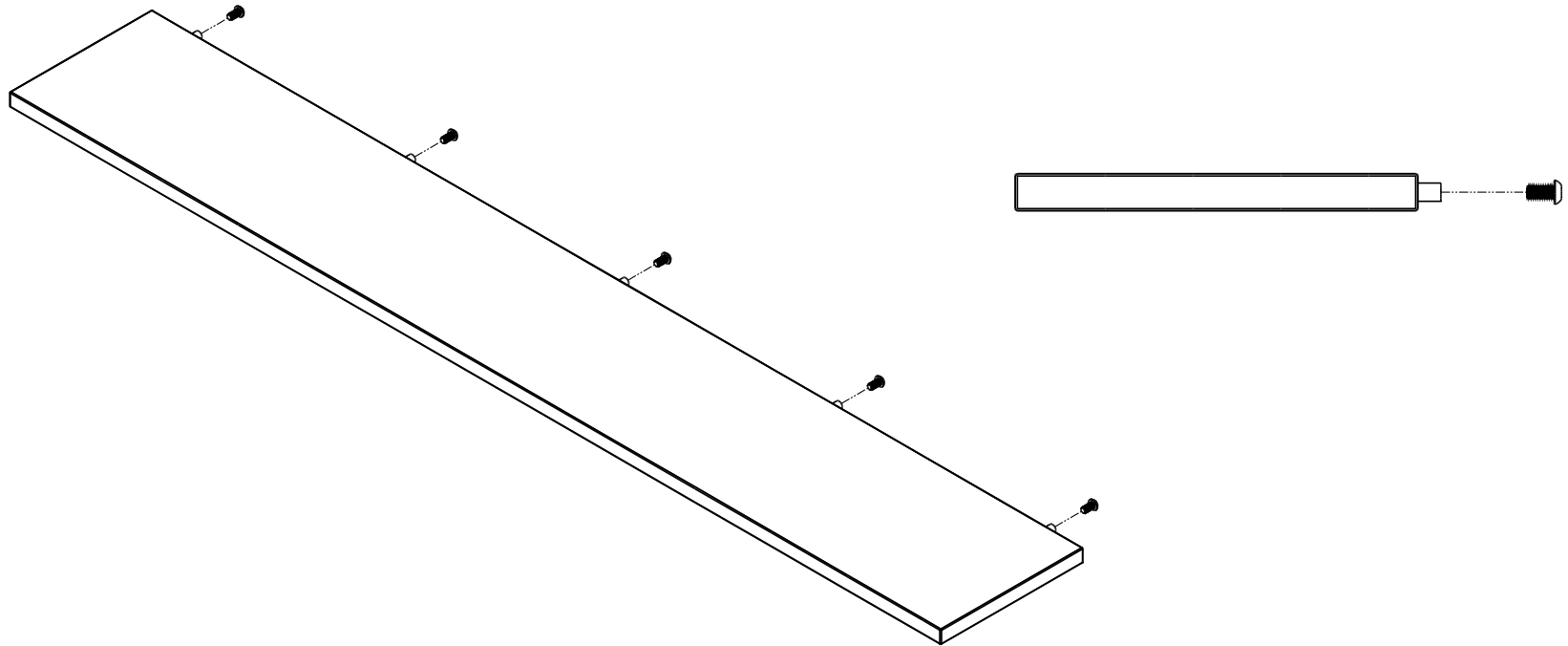
ASSEMBLY INSTRUCTIONS: Step 1 (continued)



Remove the lower halves of the Z-Bracket wall cleats from the units back panel and install them directly onto the wall.

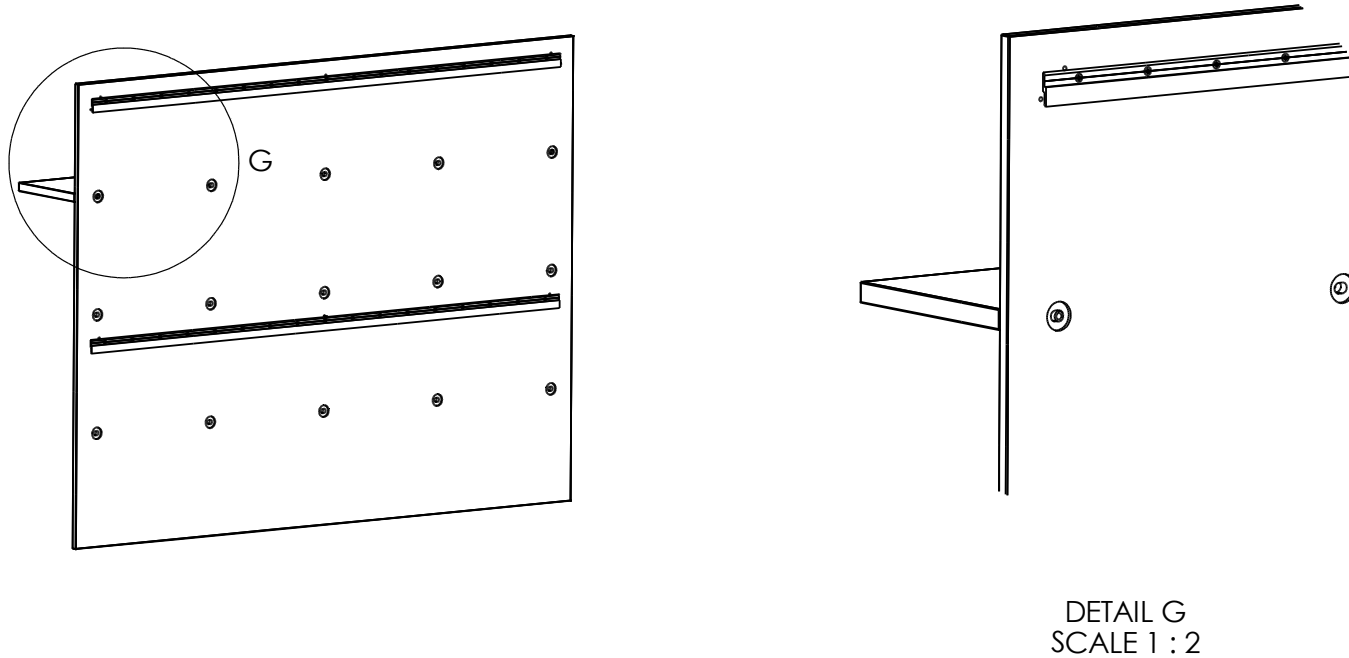
It is the responsibility of the installer to measure the accurate distance of the wall cleats on the back panel to ensure an accurate aligned installation of the lower half of the Z-Bracket cleats on the wall. The hardware to attach the Z-Bracket cleats to the wall must be provided by installer. The correct hardware to be used is to be determined by the installer based on the wall type.

ASSEMBLY INSTRUCTIONS: Step 2



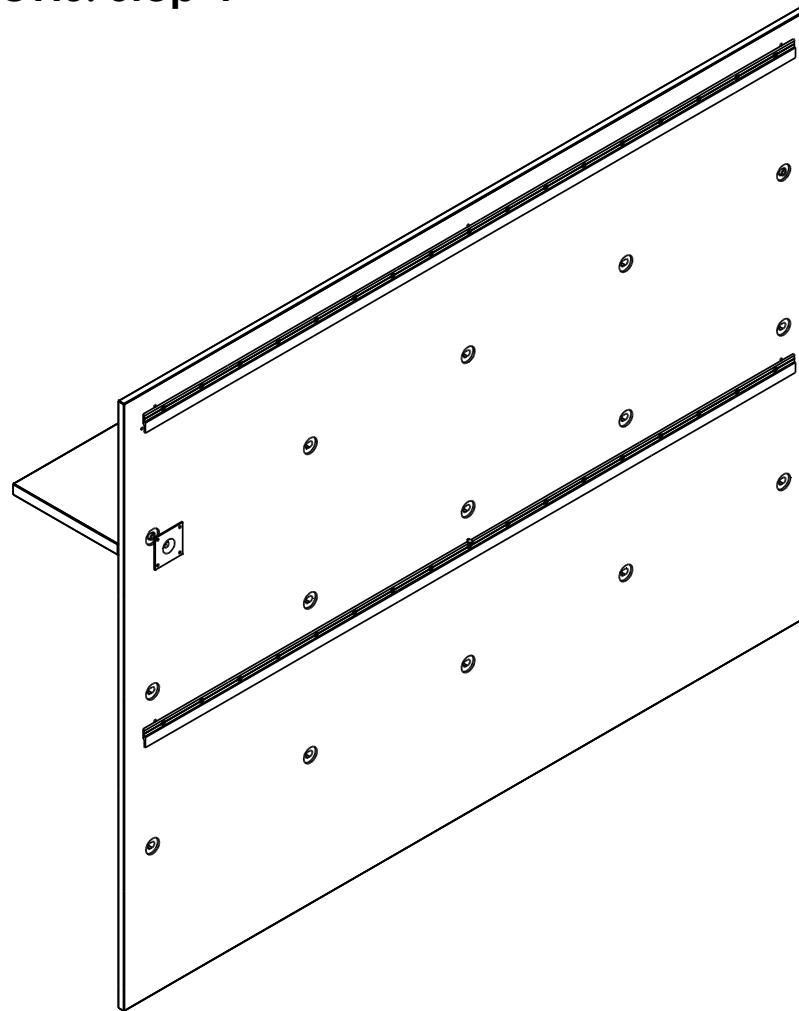
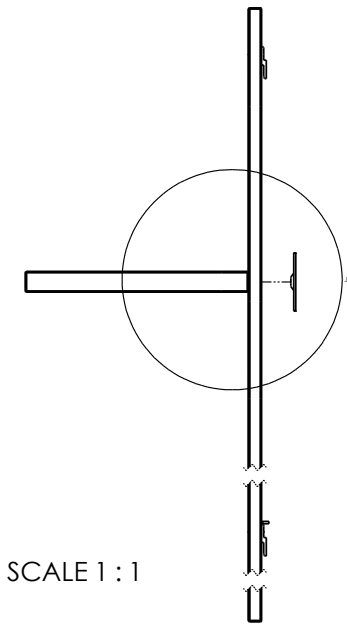
Remove the bolts from the threaded rods which are pre-inserted into each shelf.

ASSEMBLY INSTRUCTIONS: Step 3



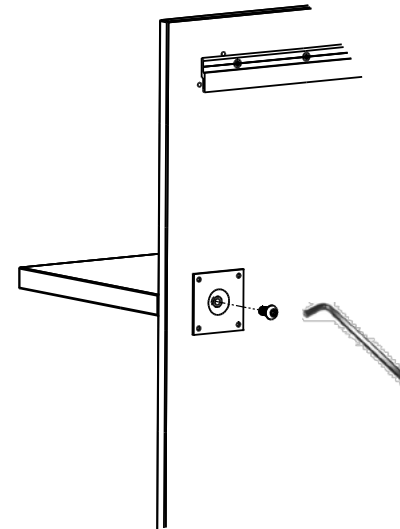
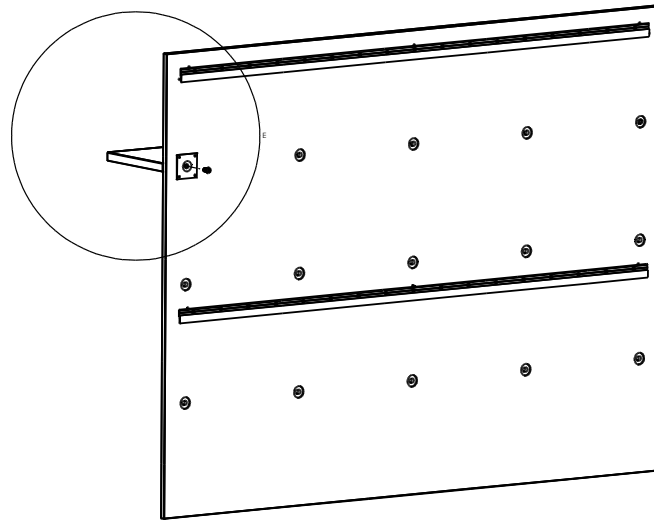
One at a time, hold each shelf up against the back panel, inserting the threaded rods located in the shelf through the holes located on the back panel.

ASSEMBLY INSTRUCTIONS: Step 4



Place the end brackets on the far right and far left of the unit; making sure the dimple/indented part of the bracket is facing inward.

ASSEMBLY INSTRUCTIONS: Step 4 (continued)

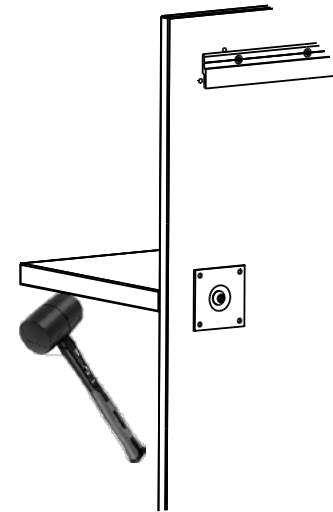
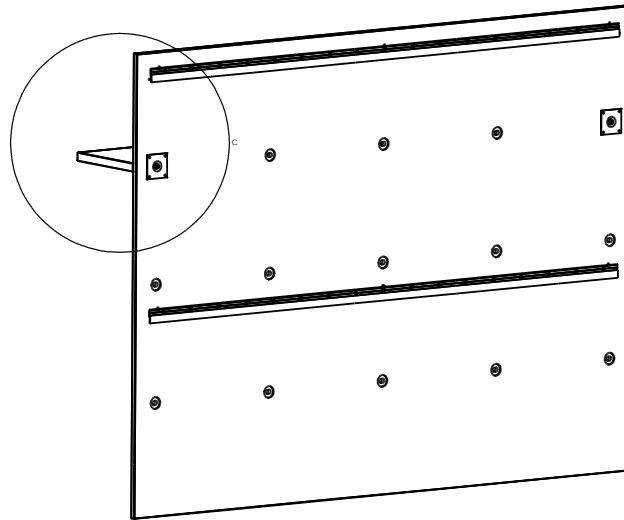


DETAIL E
SCALE 1 : 2

Install the bolt into the protruding rod using an Allen Key.

Install the bolt into both left and right end bracket.

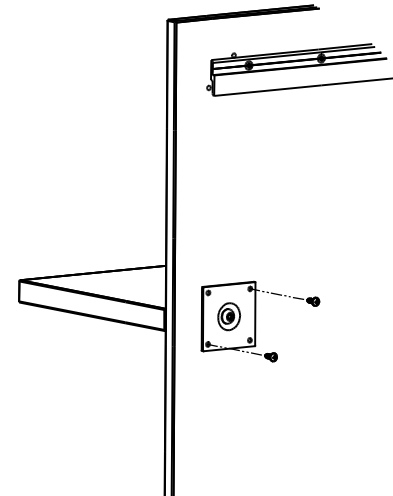
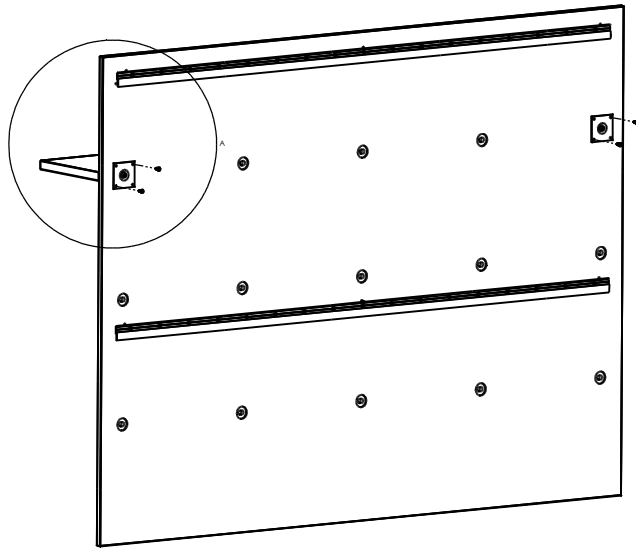
ASSEMBLY INSTRUCTIONS: Step 5



DETAIL C
SCALE 1 : 2

Align the shelf on both ends, using a rubber mallet if needed, so that the shelf is flush with the back panel.

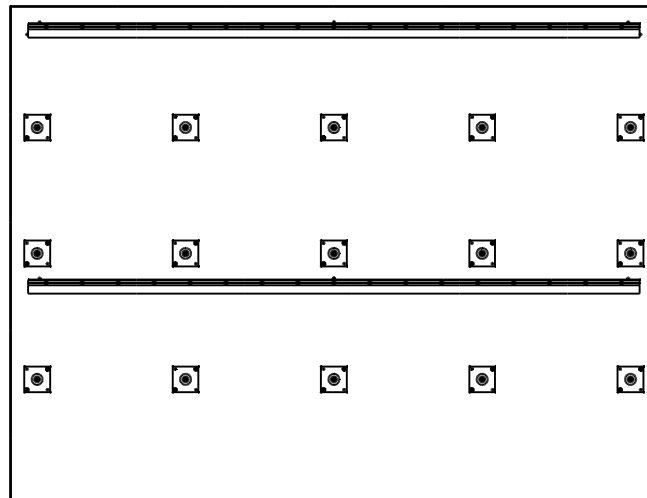
ASSEMBLY INSTRUCTIONS: Step 6



DETAIL A
SCALE 1 : 2

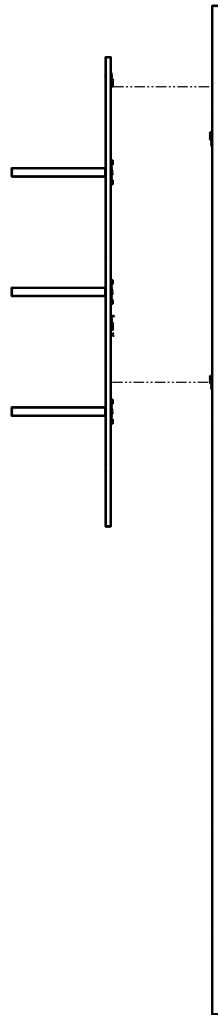
Once the shelf is aligned with the back panel, secure the brackets into place using the wood screws provided.

ASSEMBLY INSTRUCTIONS: Step 7



Continue to install all the remaining brackets on the back of the wall panel, installing the bolt into each bracket and then securing in place using the wood screws provided.

ASSEMBLY INSTRUCTIONS: Step 8



Hang the assembled wall panel on the Z-Bracket wall cleat half that you installed on the wall.

