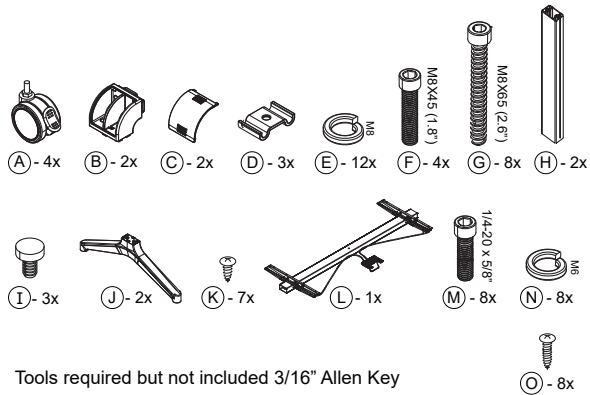
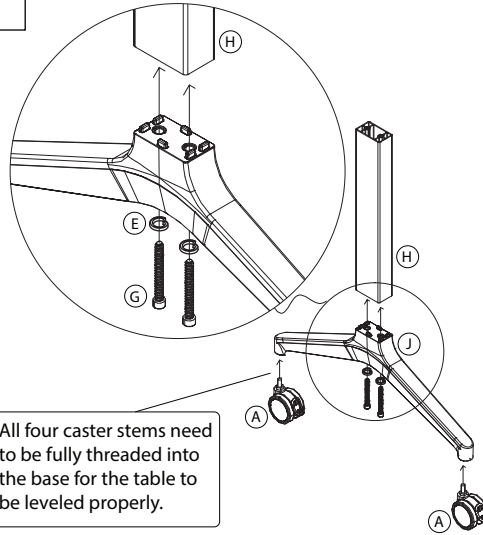


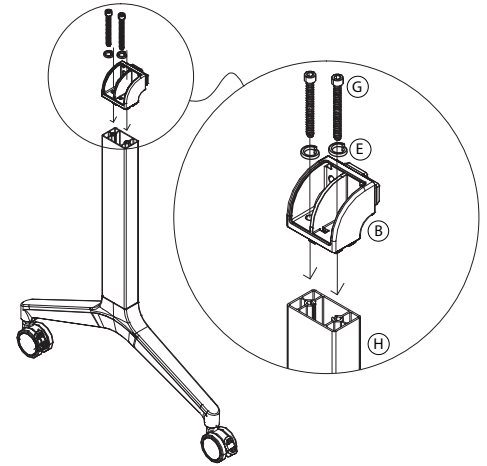
Trello Base Assembly Instructions



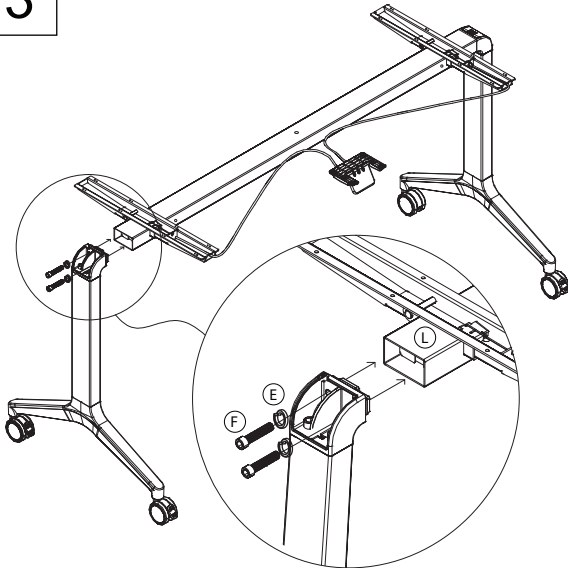
1



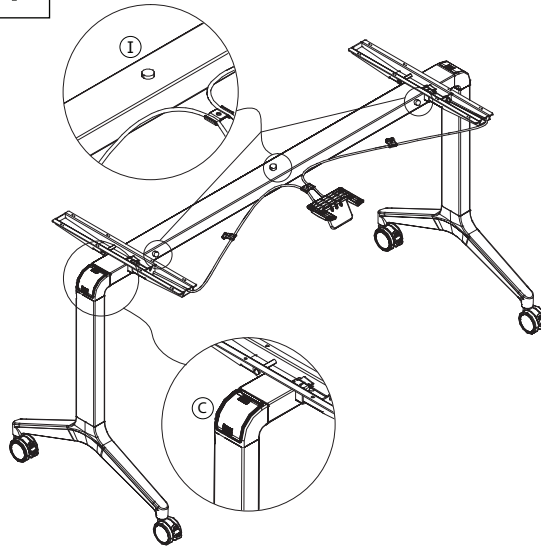
2



3



4



5

Install 1/4-20 x 5/8" **(M)** Bolts with **(N)** Washers into the 4 metal inserts located on the ends of each leg bracket (8 in total).
Install **(O)** wood screws into 4 holes in the center of each leg bracket (8 in total).

